

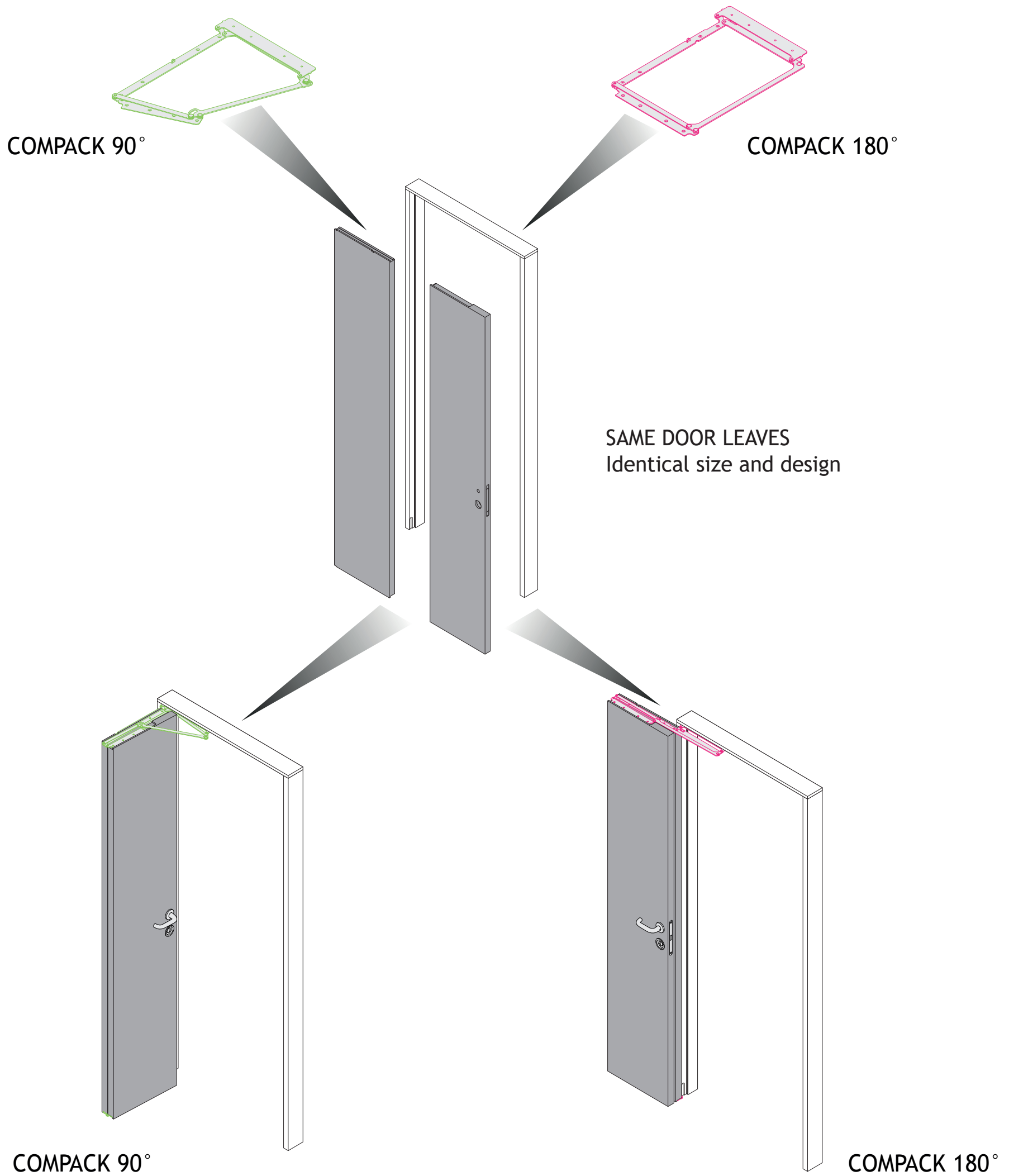
COMPACK ^{180°} LIVING



TECHNICAL CONSTRUCTION MANUAL COMPACK LIVING 180° system

CELEGON S.r.l. - Via G. Galilei, 6 - 30035 Mirano (Venezia) - T +39 (0)41 5728404 - F +39 (0)41 5728522
www.compackliving.com - info@compactliving.com

2. COMPATIBILITY OF THE COMPACT LIVING SYSTEM



3. USE VARIANTS

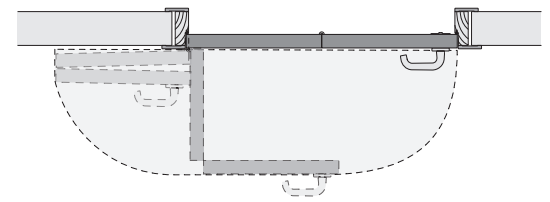
To get the most out of the variants illustrated on this page, see the specifications for using the COMPACK latch (see Section 7. SPECIAL COMPACK LIVING MAGNETIC LATCH).

- **Version 1**

- **Symmetric door leaves**

By using the handle only on one side and the recessed handle on the other, is necessary to apply the magnetic lock **COMPACK**.

Version possible with all available items RIGHT/LEFT.

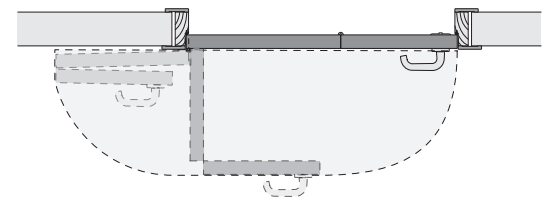


- **Version 2**

- **Asymmetric door leaves with handle leaf from -50 to 0 larger**

By using the handle only on one side and the recessed handle on the other, is necessary to apply the magnetic lock **COMPACK**.

Version possible with all available items RIGHT/LEFT.

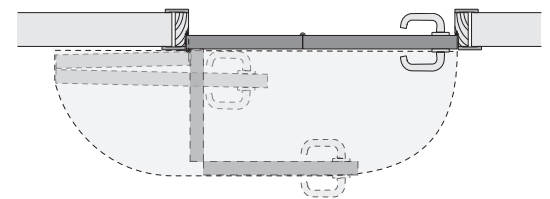


- **Version 3**

- **Asymmetric door leaves with handle leaf from 0 to +200 lower**

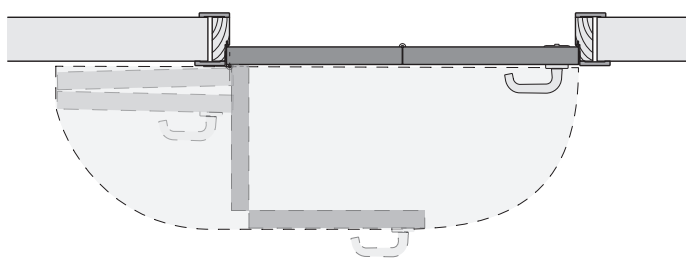
By using the handle only on one side and the recessed handle on the other, is necessary to apply the magnetic lock **COMPACK**. When you decide to use a pair of handles or knobs, you can use a traditional lock.

Version possible with all available items RIGHT/LEFT.

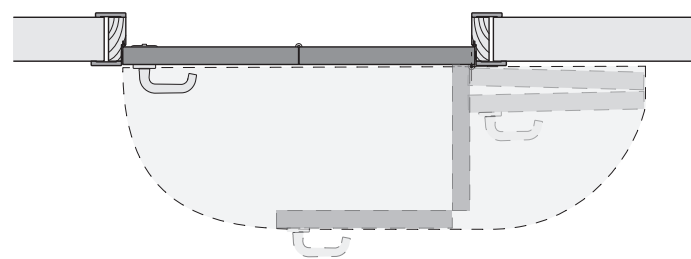


WAY OF OPENING

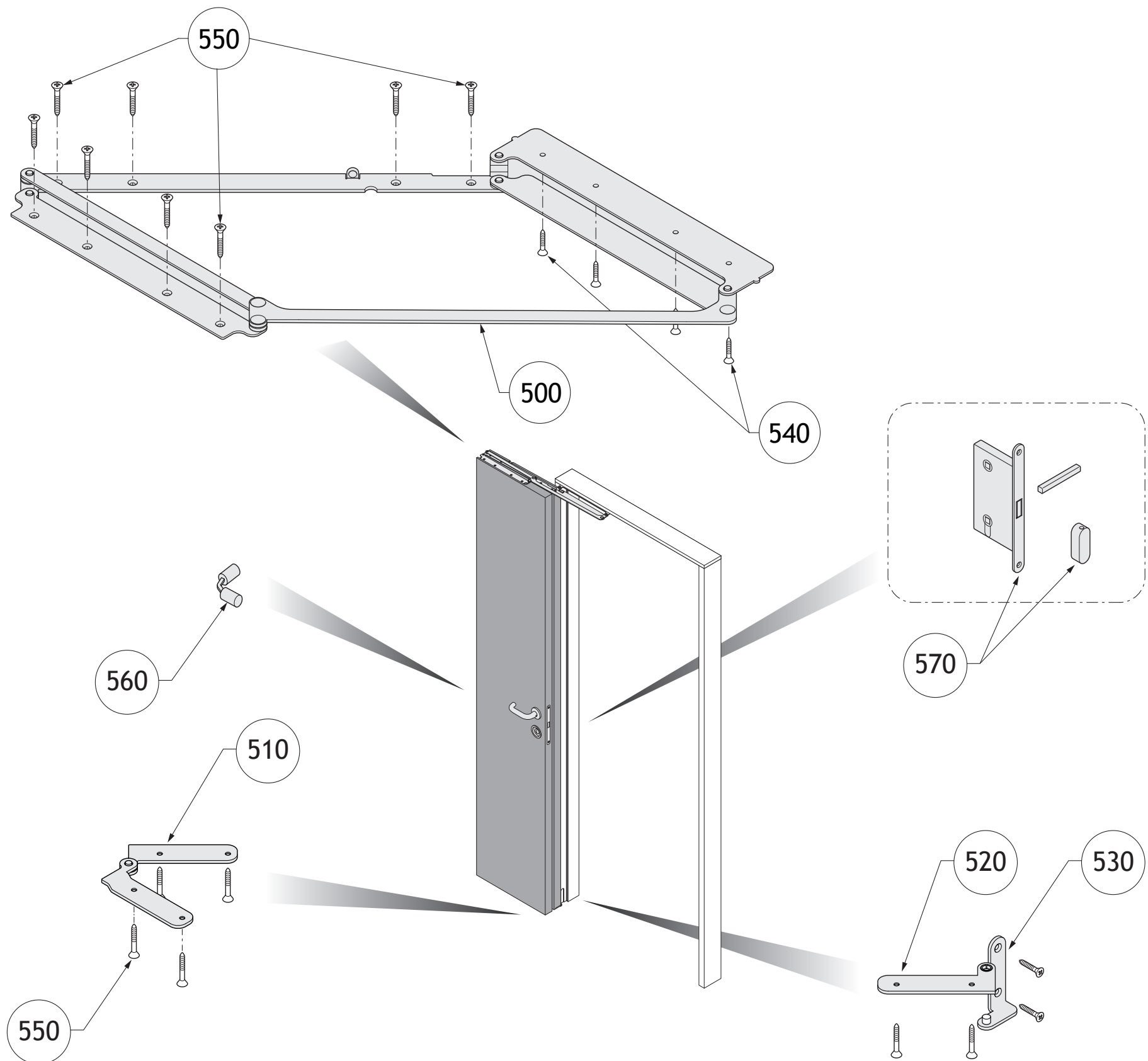
1 - Left opening



2 - Right opening

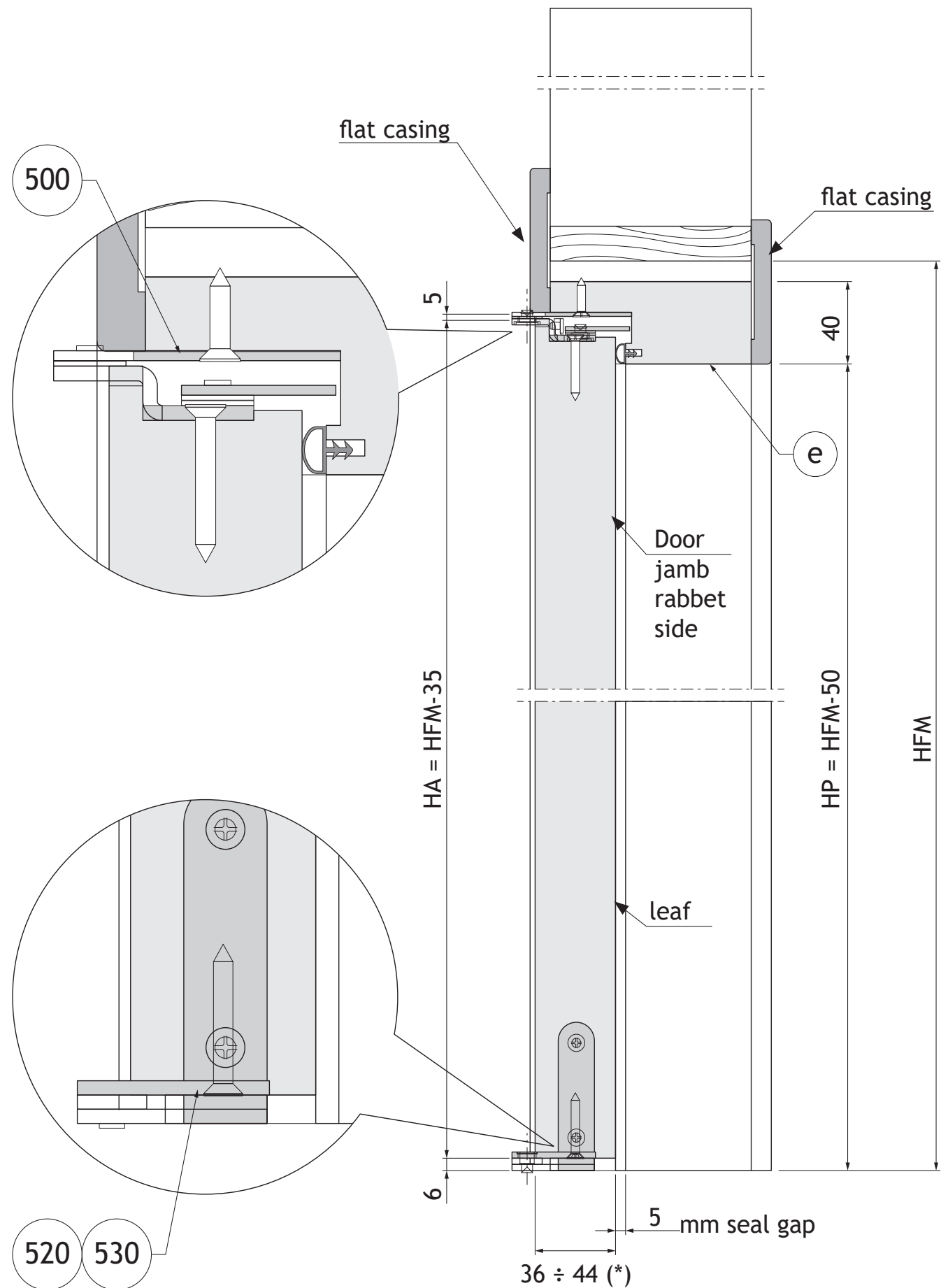


3.1 Hardware



Part list		
Ref.	Q.ty	Description
500	1	Compact Living system RH or LH
510	1	Central hinge lower
520	1	Lateral hinge lower for leaf RH or LH
530	1	Lateral hinge lower for jamb RH or LH
540	4	Screw TSP trx ø 4x20
550	16	Screw TSP trx ø 4x30
560	1	Invisible hinge for alignment leaves
570	1	Magnetic lock Compact Living with strikers and special square spindle (optional)

3.2 Vertical section

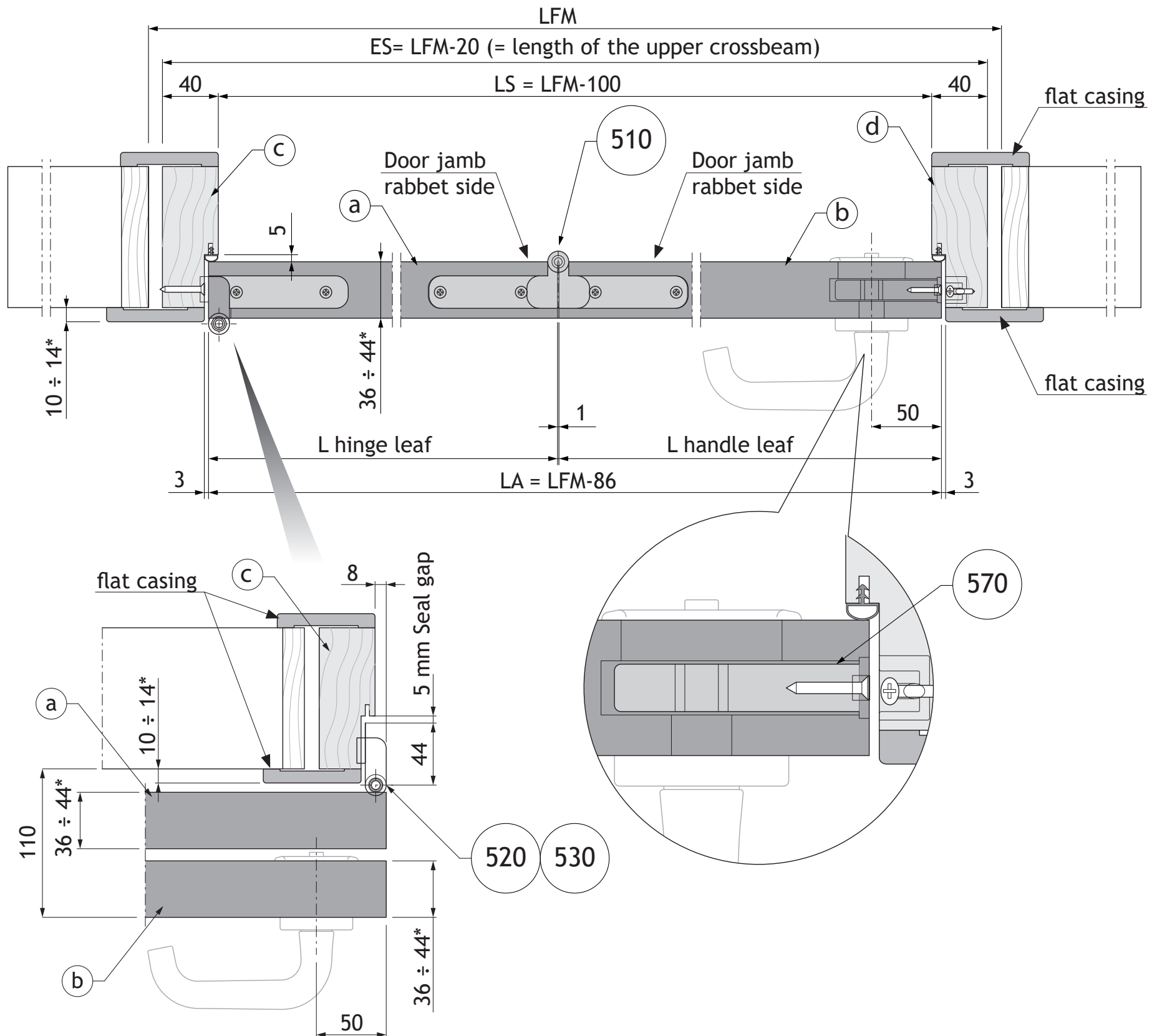


HFM = Wall Hole Height
HP = Passage Dimension
HA = Leaf Height

(*) Leaf/track cover moulding thickness ratio		Part list		
leaf thickness	flat casing thickness	Ref.	Q.ty	Description
36 ÷ 40	10 ÷ 14	500	1	Compact Living 180 system RH or LH
42	10 ÷ 12	520	1	Lateral hinge lower for leaf RH or LH
44	10	530	1	Lateral hinge lower for jamb RH or LH
		e	1	Upper crossbeam

3.3 Horizontal section left door

Example of Left Door (*Right door is symmetric*)



- LFM** = Wall Hole Width
- ES** = Outer Jamb
- LS** = Door Jamb Opening
- LA** = Leaf Width

(*) Leaf/track cover moulding thickness ratio

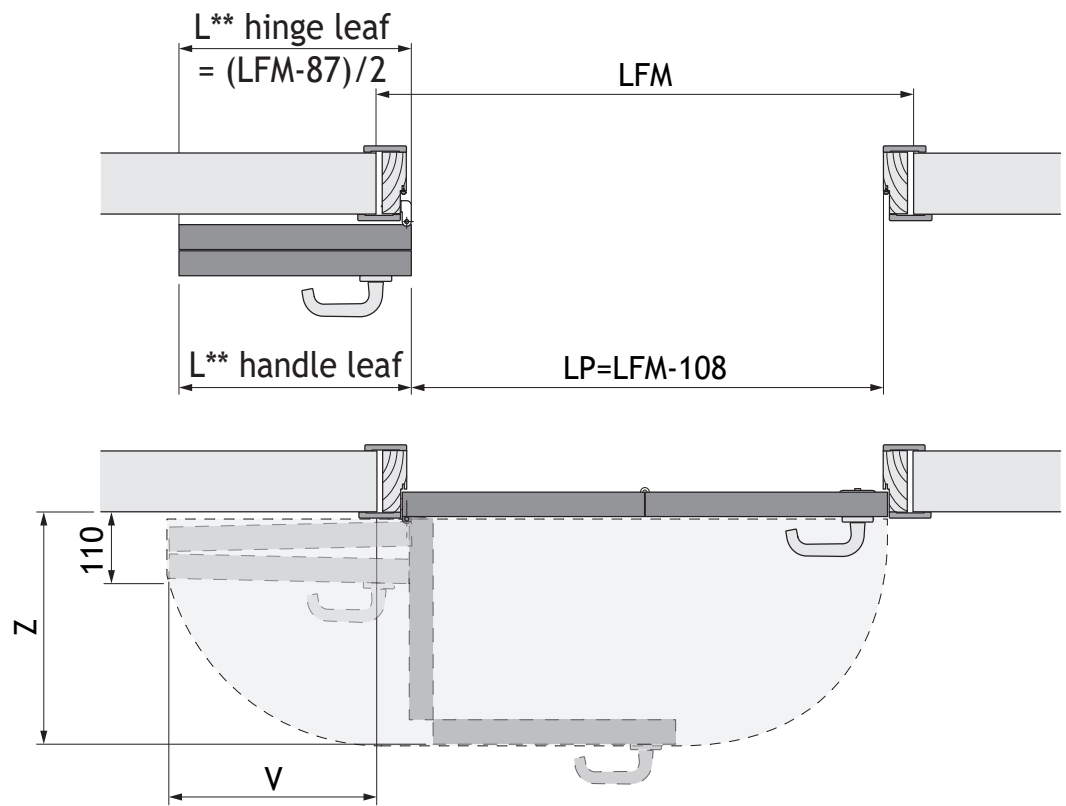
leaf thickness	flat casing thickness
36 ÷ 40	10 ÷ 14
42	10 ÷ 12
44	10

Part list		
Ref.	Q.ty	Description
510	1	Central hinge lower
520	1	Lateral hinge lower for leaf RH or LH
530	1	Lateral hinge lower for jamb RH or LH
570	1	Magnetic lock Compact Living with strikers and special square spindle (optional)
a	1	Hinge leaf
b	1	Handle leaf
c	1	Hinge side door jamb
d	1	Handle side door jamb

3.4 Dimensional diagram of the door - symmetric leaves (Version 1)

Version 1 - symmetric leaves							
LFM	LP	L** hinge leaf	L** handle leaf	Z	V	art. COMPACT	
						BLACK finish	INOX finish
700	592	306,5	306,5	355	250	802F60DX 802F60SX	822F60DX 822F60SX
800	692	356,5	356,5	405	300	802F70DX 802F70SX	822F70DX 822F70SX
900	792	406,5	406,5	455	350	802A80DX 802A80SX	822A80DX 822A80SX
1000	892	456,5	456,5	505	400	802B90DX 802B90SX	822B90DX 822B90SX
1100	992	506,5	506,5	555	450	802B100DX 802B100SX	822B100DX 822B100SX

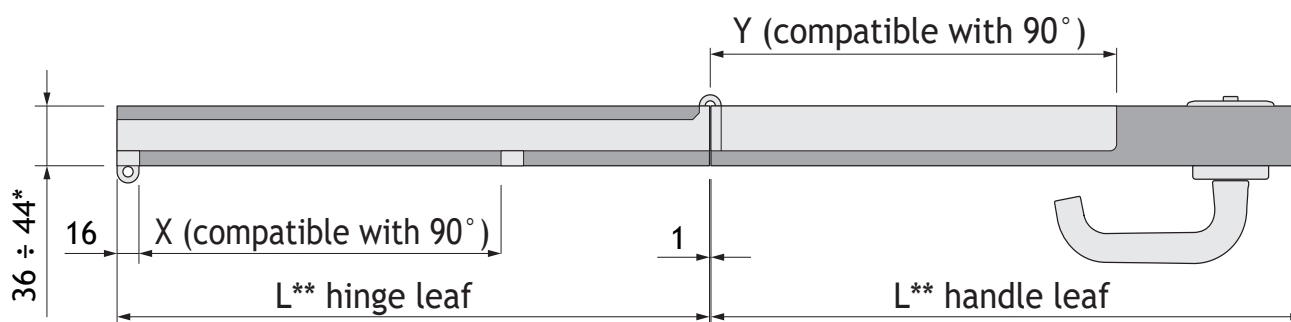
- LFM = Wall Hole Width
- LP = Passage Dimension
- Z = Encumbrance in opening
- V = Encumbrance on the wall



Example of Left Door
(Right door is symmetric)

Upper hardware seat diagram (see chapter 4. DIMENSIONAL SUMMARIES)

Version 1 - symmetric leaves					
art. COMPACT		L** hinge leaf	dimension X	L** handle leaf	dimension Y
BLACK finish	INOX finish				
802F60DX 802F60SX	822F60DX 822F60SX	306,5	208	306,5	234
802F70DX 802F70SX	822F70DX 822F70SX	356,5	208	356,5	234
802A80DX 802A80SX	822A80DX 822A80SX	406,5	258	406,5	284
802B90DX 802B90SX	822B90DX 822B90SX	456,5	358	456,5	384
802B100DX 802B100SX	822B100DX 822B100SX	506,5	358	506,5	384



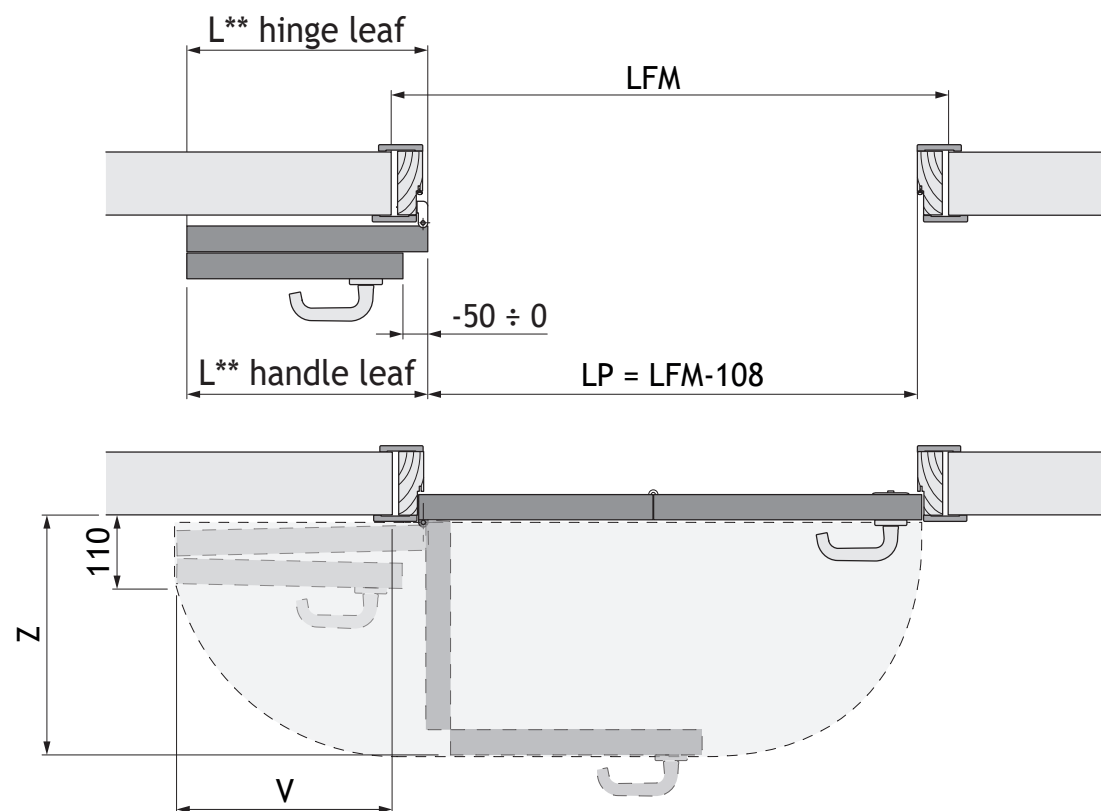
(**) Hinge leaf and handle leaf widths are calculated with a reciprocal distance of 1 mm.

3.5 Dimensional diagram of the door - asymmetric leaves (Version 2)

Handle leaf from -50 to 0 larger

Version 2 - asymmetric leaves (handle leaf from -50 to 0 larger)							
LFM	LP	L** hinge leaf	L** handle leaf	Z	V	art. COMPACT	
						BLACK finish	INOX finish
650 ÷ 700	542 ÷ 592	306,5	256,5 ÷ 306,5	355	250	802F60DX 802F60SX	822F60DX 822F60SX
750 ÷ 800	642 ÷ 692	356,5	306,5 ÷ 356,5	405	300	802F70DX 802F70SX	822F70DX 822F70SX
850 ÷ 900	742 ÷ 792	406,5	356,5 ÷ 406,5	455	350	802A80DX 802A80SX	822A80DX 822A80SX
950 ÷ 1000	842 ÷ 892	456,5	406,5 ÷ 456,5	505	400	802B90DX 802B90SX	822B90DX 822B90SX
1050 ÷ 1100	942 ÷ 992	506,5	456,5 ÷ 506,5	555	450	802B100DX 802B100SX	822B100DX 822B100SX

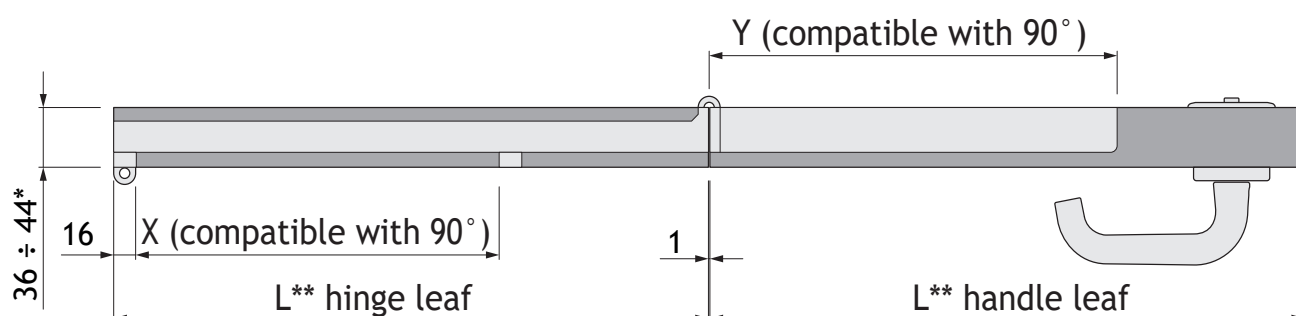
- LFM = Wall Hole Width
- LP = Passage Dimension
- Z = Encumbrance in opening
- V = Encumbrance on the wall



Example of Left Door
(Right door is symmetric)

Upper hardware seat diagram (see chapter 4. DIMENSIONAL SUMMARIES)

Version 2 - asymmetric leaves (handle leaf from -50 to 0 larger)					
art. COMPACT		L** hinge leaf	dimension X	L** handle leaf	dimension Y
BLACK finish	INOX finish				
802F60DX 802F60SX	822F60DX 822F60SX	306,5	208	256,5 ÷ 306,5	234
802F70DX 802F70SX	822F70DX 822F70SX	356,5	208	306,5 ÷ 356,5	234
802A80DX 802A80SX	822A80DX 822A80SX	406,5	258	356,5 ÷ 406,5	284
802B90DX 802B90SX	822B90DX 822B90SX	456,5	358	406,5 ÷ 456,5	384
802B100DX 802B100SX	822B100DX 822B100SX	506,5	358	456,5 ÷ 506,5	384



(**) Hinge leaf and handle leaf widths are calculated with a reciprocal distance of 1 mm.

3.6 Dimensional diagram of the door - asymmetric leaves (Version 3)

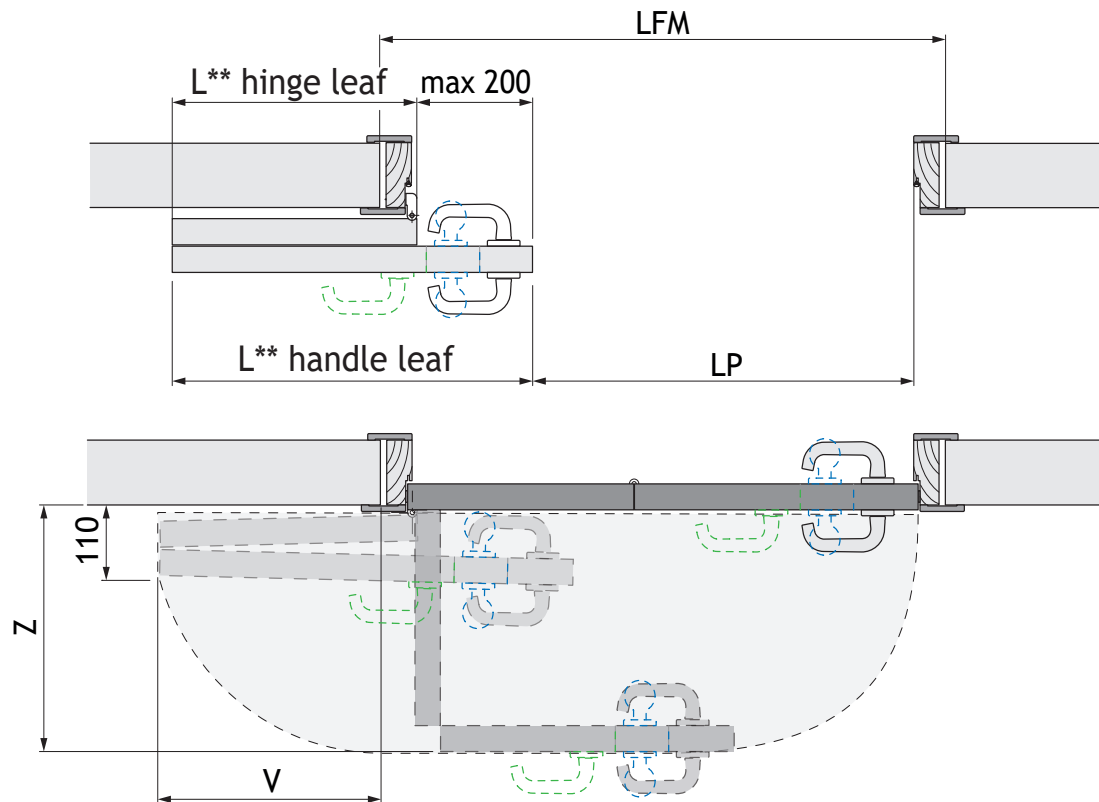
Handle leaf from 0 to +200 lower

Version 3 - asymmetric leaves (handle leaf from 0 to +200 lower)							
LFM	LP	L** hinge leaf	L** handle leaf	Z	V	art. COMPACT	
						BLACK finish	INOX finish
700 ÷ 900	592	306,5	306,5 ÷ 506,5	355	250	802F60DX 802F60SX	822F60DX 822F60SX
800 ÷ 1000	692	356,5	356,5 ÷ 556,5	405	300	802F70DX 802F70SX	822F70DX 822F70SX
900 ÷ 1100	792	406,5	406,5 ÷ 606,5	455	350	802A80DX 802A80SX	822A80DX 822A80SX
1000 ÷ 1200	892	456,5	456,5 ÷ 656,5	505	400	802B90DX 802B90SX	822B90DX 822B90SX
1100 ÷ 1300	992	506,5	506,5 ÷ 706,5	555	450	802B100DX 802B100SX	822B100DX 822B100SX

This variant also allows using a double handle or a double knob with a traditional lock, when the door's protrusion allows this.

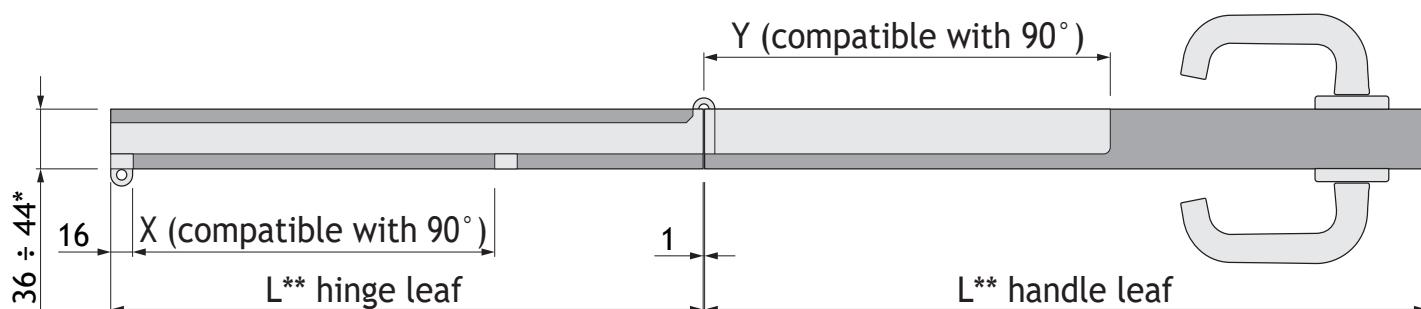
- LFM** = Wall Hole Width
- LP** = Passage Dimension
- Z** = Encumbrance in opening
- V** = Encumbrance on the wall

Example of Left Door
(Right door is symmetric)



Upper hardware seat diagram (see chapter 4. DIMENSIONAL SUMMARIES)

Version 3 - asymmetric leaves (handle leaf from 0 to +200 lower)					
art. COMPACT		L** hinge leaf	dimension X	L** handle leaf	dimension Y
BLACK finish	INOX finish				
802F60DX 802F60SX	822F60DX 822F60SX	306,5	208	306,5 ÷ 506,5	234
802F70DX 802F70SX	822F70DX 822F70SX	356,5	208	356,5 ÷ 556,5	234
802A80DX 802A80SX	822A80DX 822A80SX	406,5	258	406,5 ÷ 606,5	284
802B90DX 802B90SX	822B90DX 822B90SX	456,5	358	456,5 ÷ 656,5	384
802B100DX 802B100SX	822B100DX 822B100SX	506,5	358	506,5 ÷ 706,5	384



(**) Hinge leaf and handle leaf widths are calculated with a reciprocal distance of 1 mm.

4. DIMENSIONAL SUMMARIES

4.1 Single opening door

The following form is a summary all of possible realizable dimensions with the measurements. The **COMPACT LIVING 180°** system foresees a minimum wall opening (**LFM**) of 700 mm with symmetric leaves and of 650 mm with asymmetric leaves.

The maximum wall opening (**LFM**) with symmetric leaves is 1100 mm.

For measurements of **LFM** larger than 1100 mm is necessary to increase the dimensions of the handle door leaf.

Summary dimensions for single opening door

Version 1 - symmetric leaves									
Wall Hole Width LFM	Passage Dimension LP	Fix Dimension L** hinge leaf	Working dimension x	Variable Dimension L** handle leaf	Working dimension y	Encumbrance in opening Z	Encumbrance on the wall V	art. COMPACT	
								BLACK finish	INOX finish
700	592	306,5	208	306,5	234	355	250	802F60DX 802F60SX	822F60DX 822F60SX
800	692	356,5	208	356,5	234	405	300	802F70DX 802F70SX	822F70DX 822F70SX
900	792	406,5	258	406,5	284	455	350	802A80DX 802A80SX	822A80DX 822A80SX
1000	892	456,5	358	456,5	384	505	400	802B90DX 802B90SX	822B90DX 822B90SX
1100	992	506,5	358	506,5	384	555	450	802B100DX 802B100SX	822B100DX 822B100SX

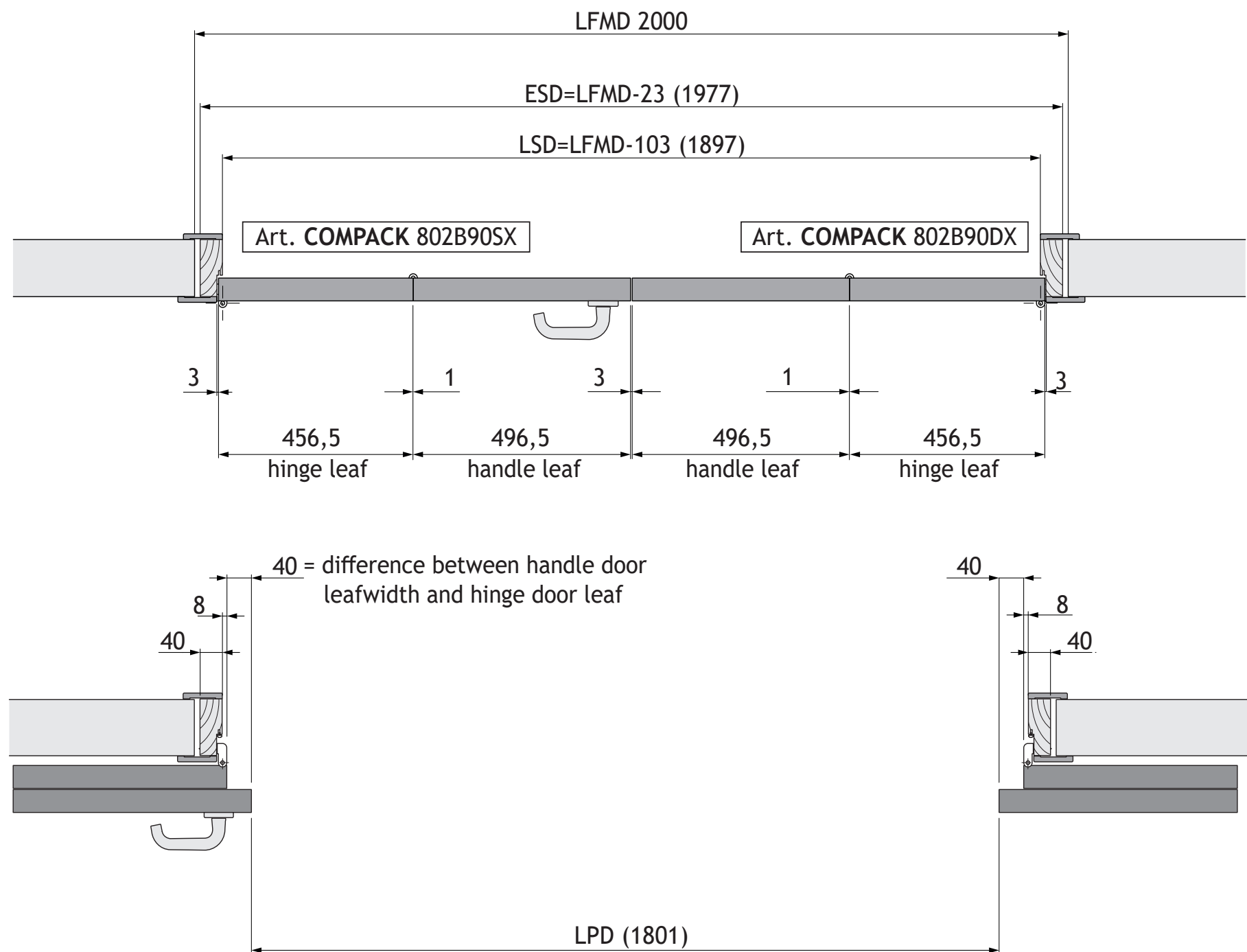
Version 2 - asymmetric leaves (handle leaf from -50 to 0 lower)									
Wall Hole Width LFM	Passage Dimension LP	Fix Dimension L** hinge leaf	Working dimension x	Variable Dimension L** handle leaf	Working dimension y	Encumbrance in opening Z	Encumbrance on the wall V	art. COMPACT	
								BLACK finish	INOX finish
650 ÷ 700	542 ÷ 592	306,5	208	256,5 ÷ 306,5	234	355	250	802F60DX 802F60SX	822F60DX 822F60SX
750 ÷ 800	642 ÷ 692	356,5	208	306,5 ÷ 356,5	234	405	300	802F70DX 802F70SX	822F70DX 822F70SX
850 ÷ 900	742 ÷ 792	406,5	258	356,5 ÷ 406,5	284	455	350	802A80DX 802A80SX	822A80DX 822A80SX
950 ÷ 1000	842 ÷ 892	456,5	358	406,5 ÷ 456,5	384	505	400	802B90DX 802B90SX	822B90DX 822B90SX
1050 ÷ 1100	942 ÷ 992	506,5	358	456,5 ÷ 506,5	384	555	450	802B100DX 802B100SX	822B100DX 822B100SX

Version 3 - asymmetric leaves (handle leaf from 0 to +200 larger)									
Wall Hole Width LFM	Passage Dimension LP	Fix Dimension L** hinge leaf	Working dimension x	Variable Dimension L** handle leaf	Working dimension y	Encumbrance in opening Z	Encumbrance on the wall V	art. COMPACT	
								BLACK finish	INOX finish
700 ÷ 900	592	306,5	208	306,5 ÷ 506,5	234	355	250	802F60DX 802F60SX	822F60DX 822F60SX
800 ÷ 1000	692	356,5	208	356,5 ÷ 556,5	234	405	300	802F70DX 802F70SX	822F70DX 822F70SX
900 ÷ 1100	792	406,5	258	406,5 ÷ 606,5	284	455	350	802A80DX 802A80SX	822A80DX 822A80SX
1000 ÷ 1200	892	456,5	358	456,5 ÷ 656,5	384	505	400	802B90DX 802B90SX	822B90DX 822B90SX
1100 ÷ 1300	992	506,5	358	506,5 ÷ 706,5	384	555	450	802B100DX 802B100SX	822B100DX 822B100SX

4.2 Dimensional diagram of the double opening door

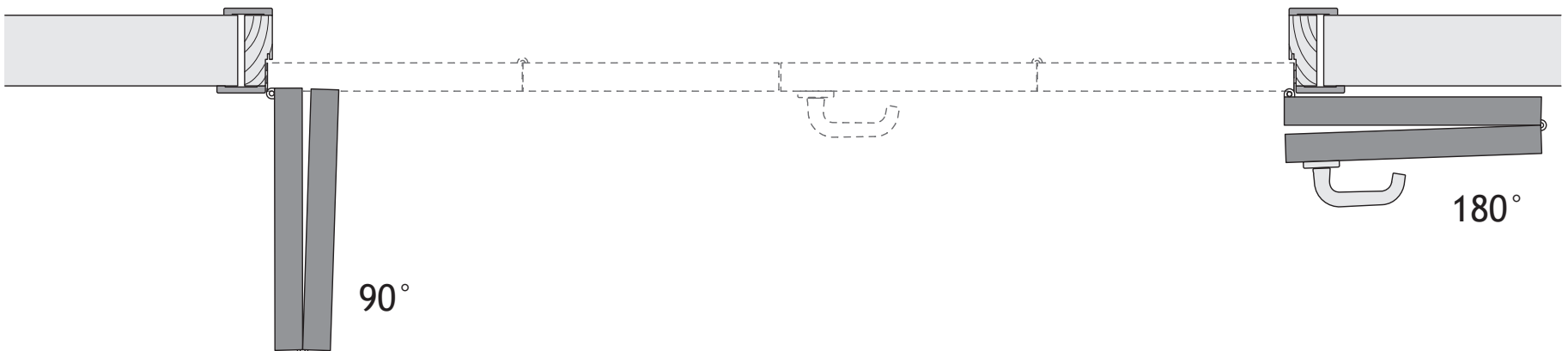
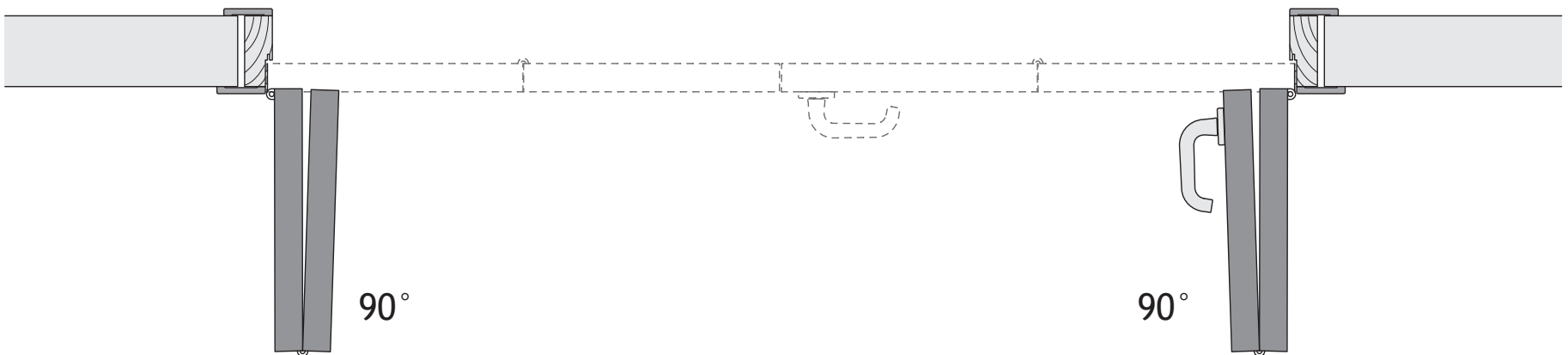
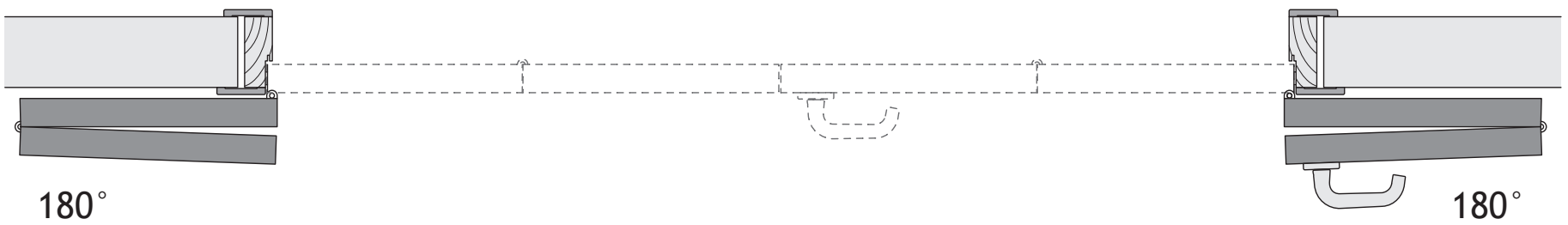
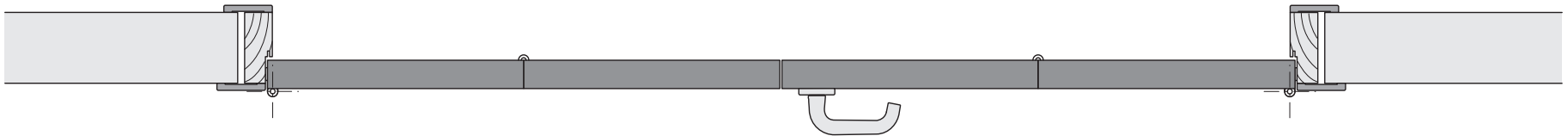
Dimensional example

Attention: you need to use two hardwares COMPACT LIVING, one right and one left.



- LFMD** = Double Wall Opening Width
- ESD** = External Jamb Double (LFMD-23)
- LSD** = Light Jamb Double (LFMD-103)
- LPD** = Width Passage Double Door Leaf

4.3 COMPACT LIVING 180° - 90° combination possibilities on double doors



- Possible combinations using the same components in wood

4.4 Double opening door

The following form is a summary all of possible realizable dimensions with the measurements. The **COMPACT LIVING 180°** system foresees a minimum wall opening (LFM) of 1320 mm with symmetric leaves and of 1220 mm with asymmetric leaves.

The maximum wall opening (LFM) with symmetric leaves is 2120 mm.

For measurements of LFM larger than 2120 mm is necessary to increase the dimensions of the handle door leaf.

Summary dimensions for double opening door

Version 1 - symmetric leaves									
Wall Hole Width LFM	Passage Dimension LP	Fix Dimension L** hinge leaf	Working dimension x	Variable Dimension L** handle leaf	Working dimension y	Encumbrance in opening Z	Encumbrance on the wall V	art. COMPACT	
								BLACK finish	INOX finish
1320	1201	306,5	208	306,5	234	355	250	802F60DX 802F60SX	822F60DX 822F60SX
1520	1401	356,5	208	356,5	234	405	300	802F70DX 802F70SX	822F70DX 822F70SX
1720	1601	406,5	258	406,5	284	455	350	802A80DX 802A80SX	822A80DX 822A80SX
1920	1801	456,5	358	456,5	384	505	400	802B90DX 802B90SX	822B90DX 822B90SX
2120	2001	506,5	358	506,5	384	555	450	802B100DX 802B100SX	822B100DX 822B100SX

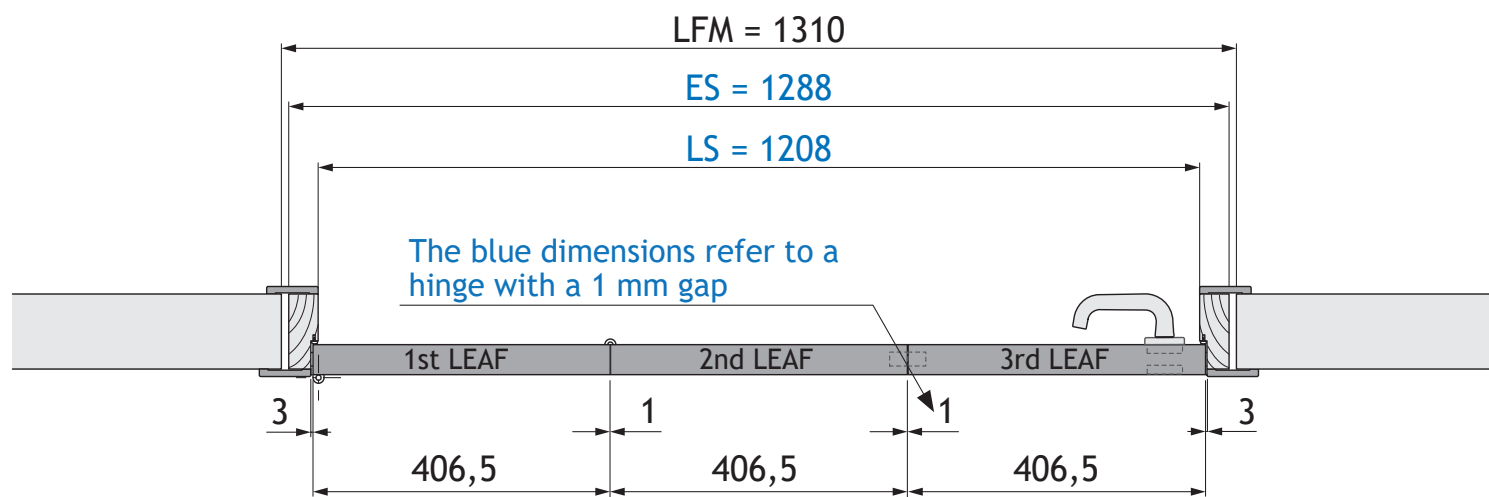
Version 2 - asymmetric leaves (handle leaf from -50 to 0 lower)									
Wall Hole Width LFM	Passage Dimension LP	Fix Dimension L** hinge leaf	Working dimension x	Variable Dimension L** handle leaf	Working dimension y	Encumbrance in opening Z	Encumbrance on the wall V	art. COMPACT	
								BLACK finish	INOX finish
1220 ÷ 1320	1101 ÷ 1201	306,5	208	256,5 ÷ 306,5	234	355	250	802F60DX 802F60SX	822F60DX 822F60SX
1420 ÷ 1520	1301 ÷ 1401	356,5	208	306,5 ÷ 356,5	234	405	300	802F70DX 802F70SX	822F70DX 822F70SX
1620 ÷ 1720	1501 ÷ 1601	406,5	258	356,5 ÷ 406,5	284	455	350	802A80DX 802A80SX	822A80DX 822A80SX
1820 ÷ 1920	1701 ÷ 1801	456,5	358	406,5 ÷ 456,5	384	505	400	802B90DX 802B90SX	822B90DX 822B90SX
2020 ÷ 2120	1901 ÷ 2001	506,5	358	456,5 ÷ 506,5	384	555	450	802B100DX 802B100SX	822B100DX 822B100SX

Version 3 - asymmetric leaves (handle leaf from 0 to +200 larger)									
Wall Hole Width LFM	Passage Dimension LP	Fix Dimension L** hinge leaf	Working dimension x	Variable Dimension L** handle leaf	Working dimension y	Encumbrance in opening Z	Encumbrance on the wall V	art. COMPACT	
								BLACK finish	INOX finish
1320 ÷ 1720	1201	306,5	208	306,5 ÷ 506,5	234	355	250	802F60DX 802F60SX	822F60DX 822F60SX
1520 ÷ 1920	1401	356,5	208	356,5 ÷ 556,5	234	405	300	802F70DX 802F70SX	822F70DX 822F70SX
1720 ÷ 2120	1601	406,5	258	406,5 ÷ 606,5	284	455	350	802A80DX 802A80SX	822A80DX 822A80SX
1920 ÷ 2320	1801	456,5	358	456,5 ÷ 656,5	384	505	400	802B90DX 802B90SX	822B90DX 822B90SX
2120 ÷ 2520	2001	506,5	358	506,5 ÷ 706,5	384	555	450	802B100DX 802B100SX	822B100DX 822B100SX

4.5 Dimensional drawing for a 3-leaf single door

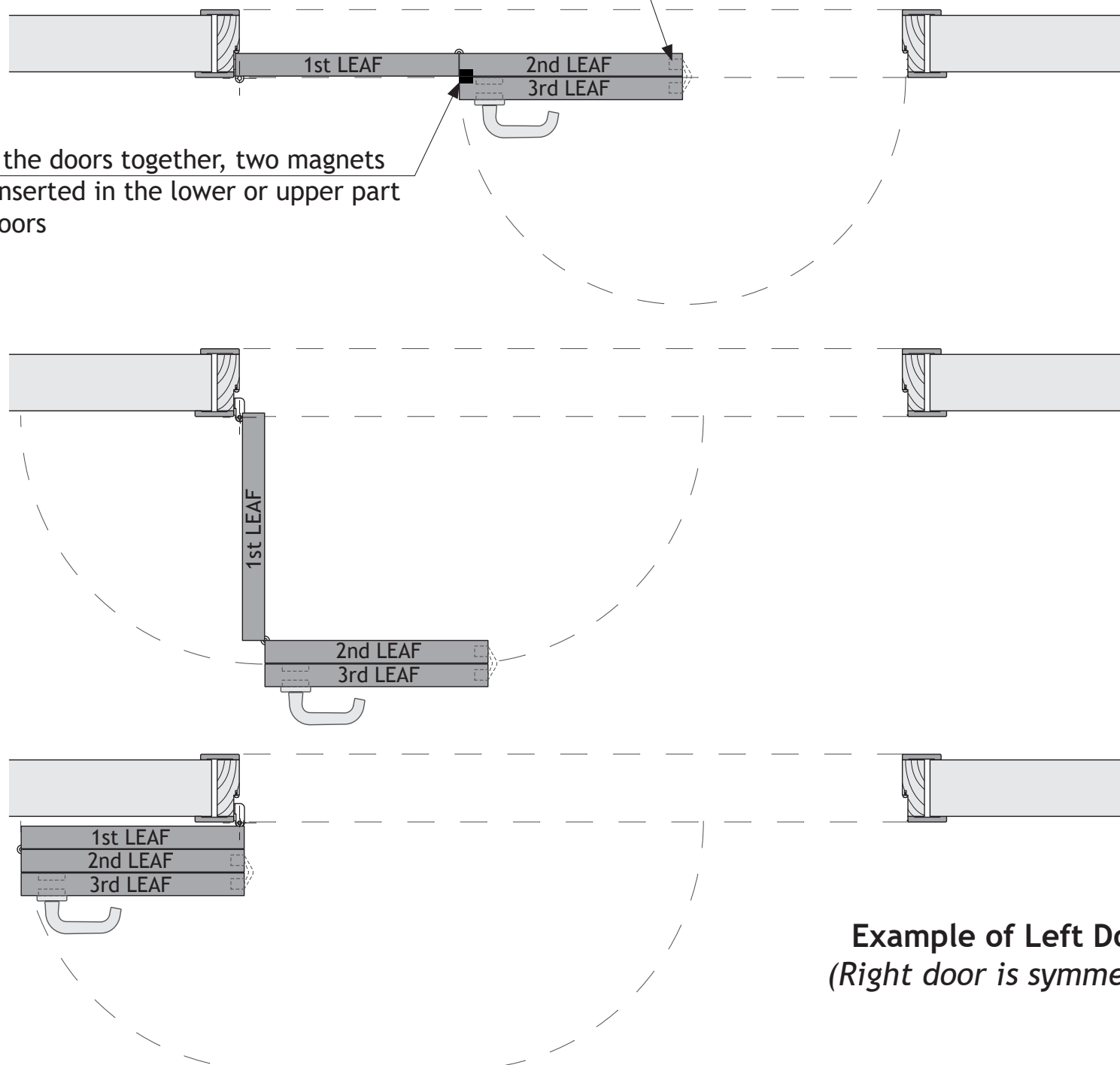
Maintaining the same dimensional characteristics as in the previous tables, a third leaf can be added by connecting it to the handle leaf by means of hinges, thus obtaining very wide openings with the open doors occupying a very small space.

Dimensional example with symmetrical leaves



To block the leaf, you can use a traditional sliding bolt or magnet, or the magnetic unlocking system "Push&GO EVO" (see pages 45-46-47)

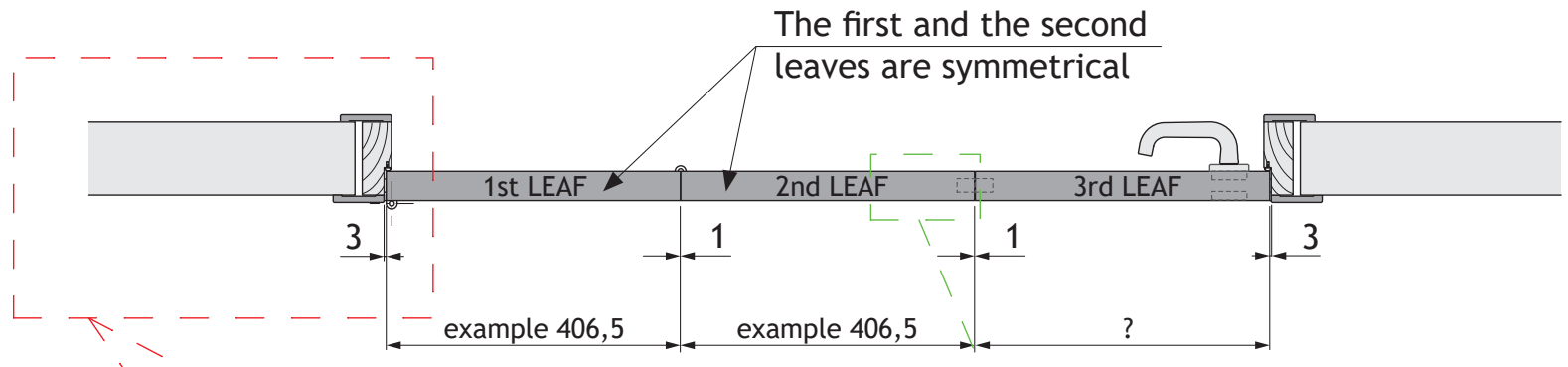
To keep the doors together, two magnets can be inserted in the lower or upper part of the doors



Example of Left Door
(Right door is symmetric)

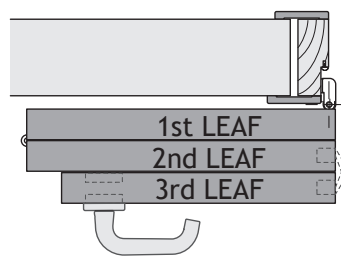
Dimensional example with asymmetrical leaves:

First and second symmetrical leaves, third asymmetrical leaf



Example of Left Door
(Right door is symmetric)

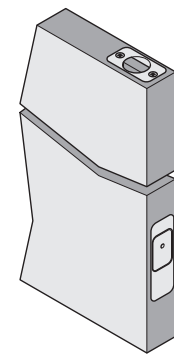
The third leaf is shorter



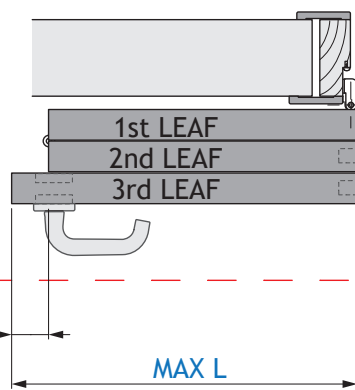
Closing alternatives for the second leaf

Push&Go
EVO

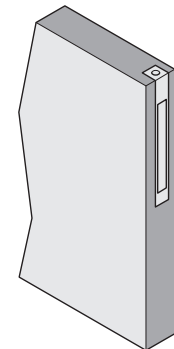
For the machining specifications see "Push&Go EVO" technical manual



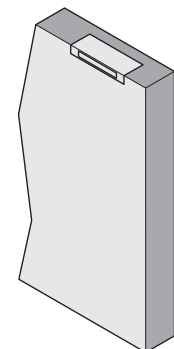
The third leaf is longer



Traditional sliding bolt

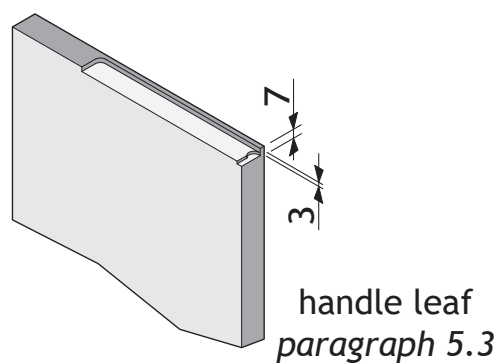
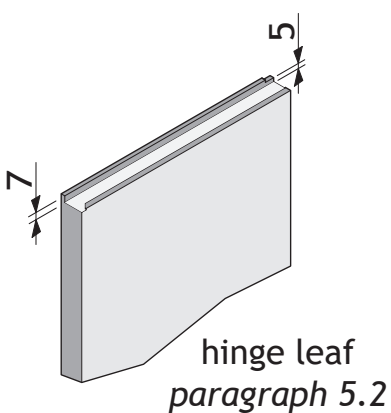


Magnet
(also applicable on the third leaf)



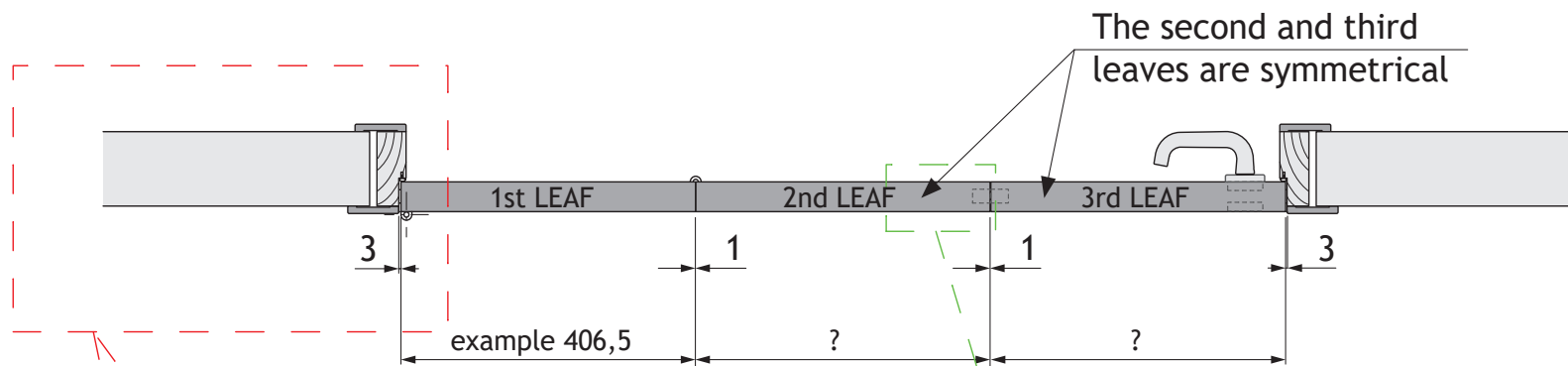
Code	Dimension "A" *	Third door Max L
...F60...	65	598
...F70...	115	698
...A80...	115	798
...B90...	65	898
...B100...	115	998

* When Dimension "A" exceeds the values shown in the table, the total door height must be reduced by 2 mm according to the dimensions shown below, due to incompatibility between the door or handle and the upper protruding hinge (see paragraphs 5.2 and 5.3).

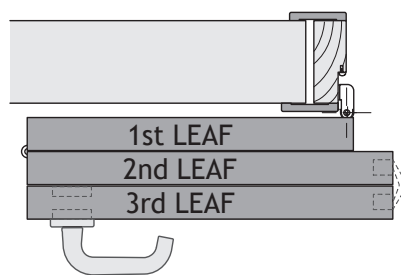


Dimensional example with asymmetric leaves:

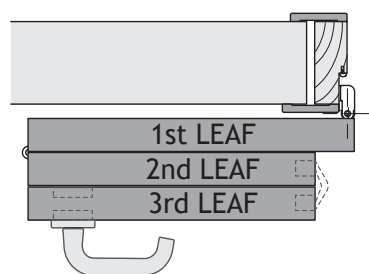
Second and third symmetrical leaves, first asymmetrical leaf



The second and third leaves are longer



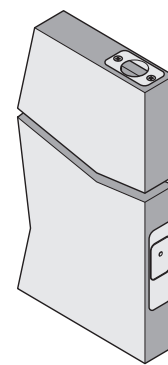
The second and third leaves are shorter



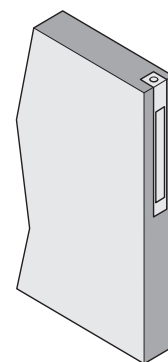
Closing alternatives for the second leaf

Push&Go
· EVO ·

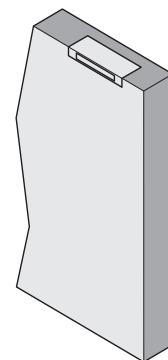
For the machining specifications see "Push&Go EVO" technical manual



Traditional sliding bolt



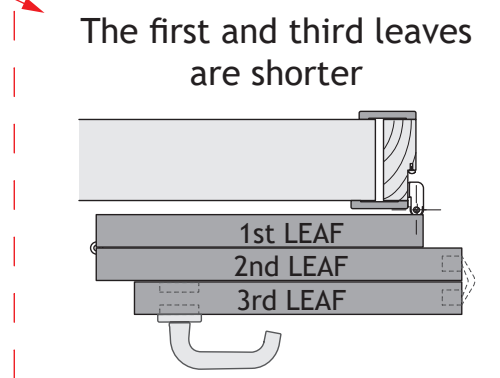
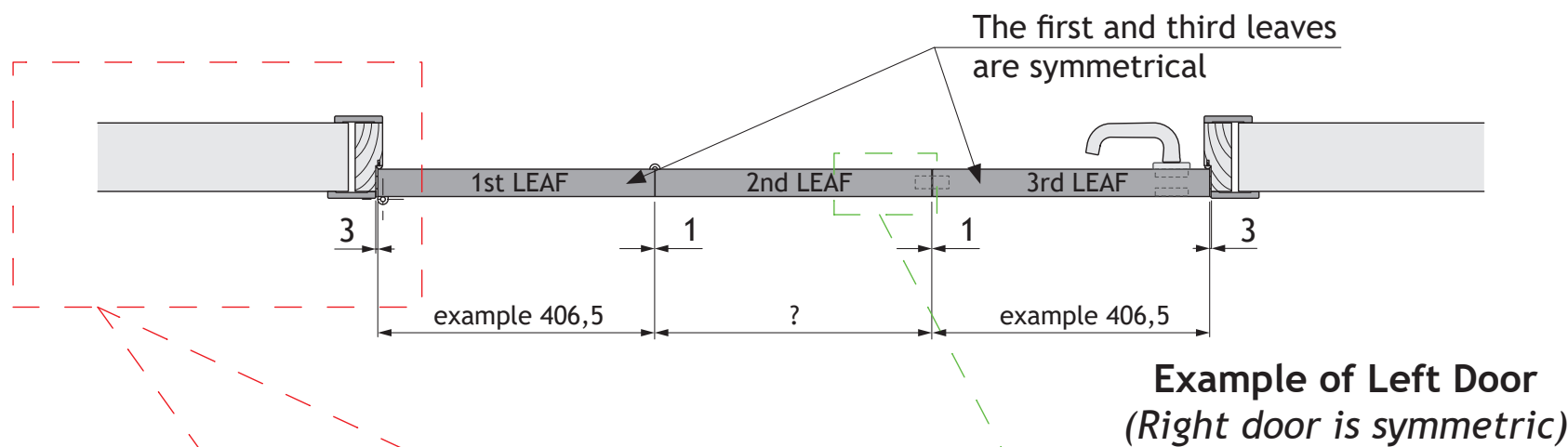
Magnet
(also applicable on the third leaf)



Example of Left Door
(Right door is symmetric)

Dimensional example with asymmetric leaves:

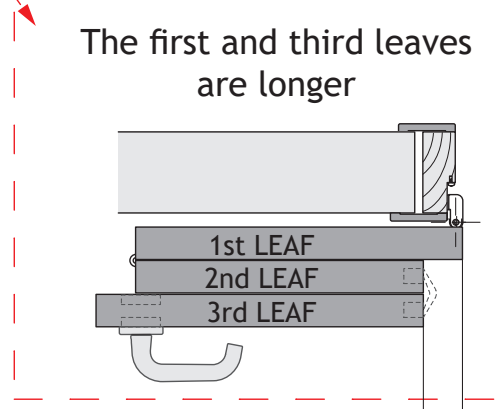
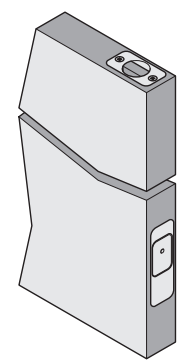
First and third symmetrical leaves, second asymmetrical leaf



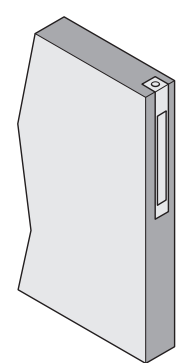
Closing alternatives for the second leaf

Push&Go
- EVO -

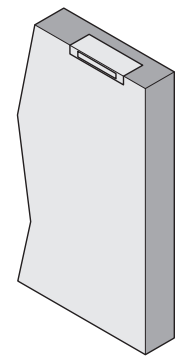
For the machining specifications see "Push&Go EVO" technical manual



Traditional sliding bolt

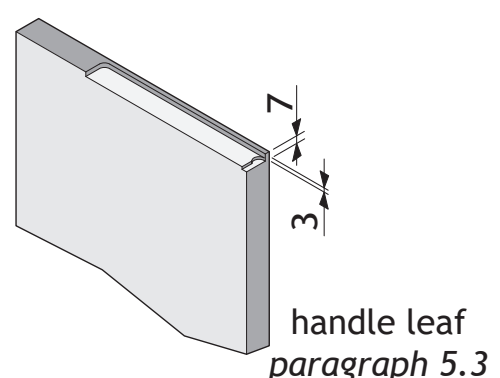
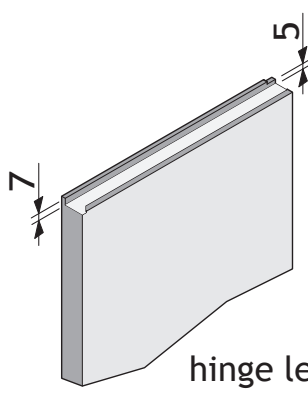


Magnet (also applicable on the third leaf)



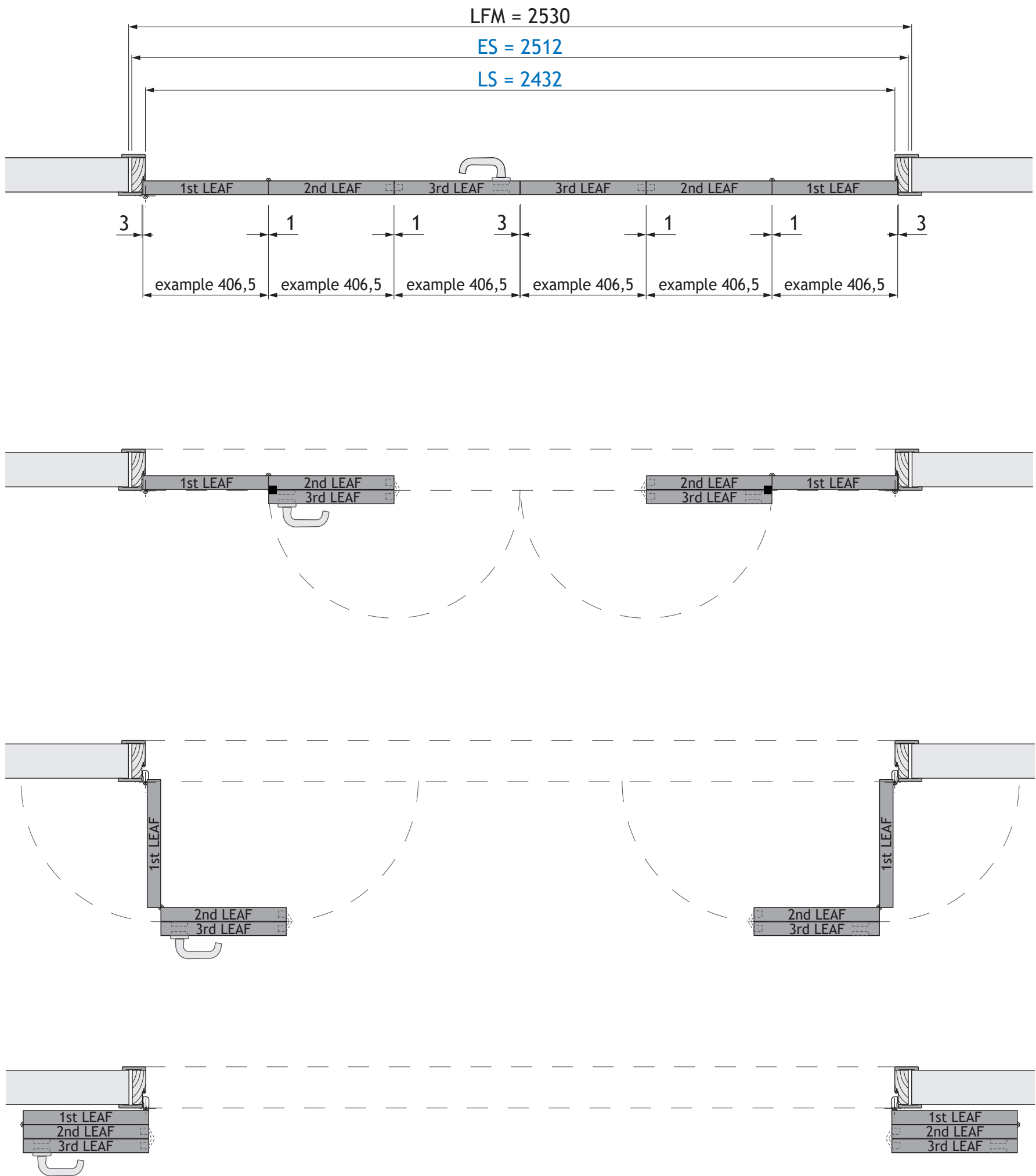
Code	Dimension "A" *
...F60...	65
...F70...	115
...A80...	115
...B90...	65
...B100...	115

* When Dimension "A" exceeds the values shown in the table, the total door height must be reduced by 2 mm according to the dimensions shown below, due to incompatibility between the door or handle and the upper protruding hinge (see paragraphs 5.2 and 5.3).



4.6 Dimensional drawing for a 3-leaf double door

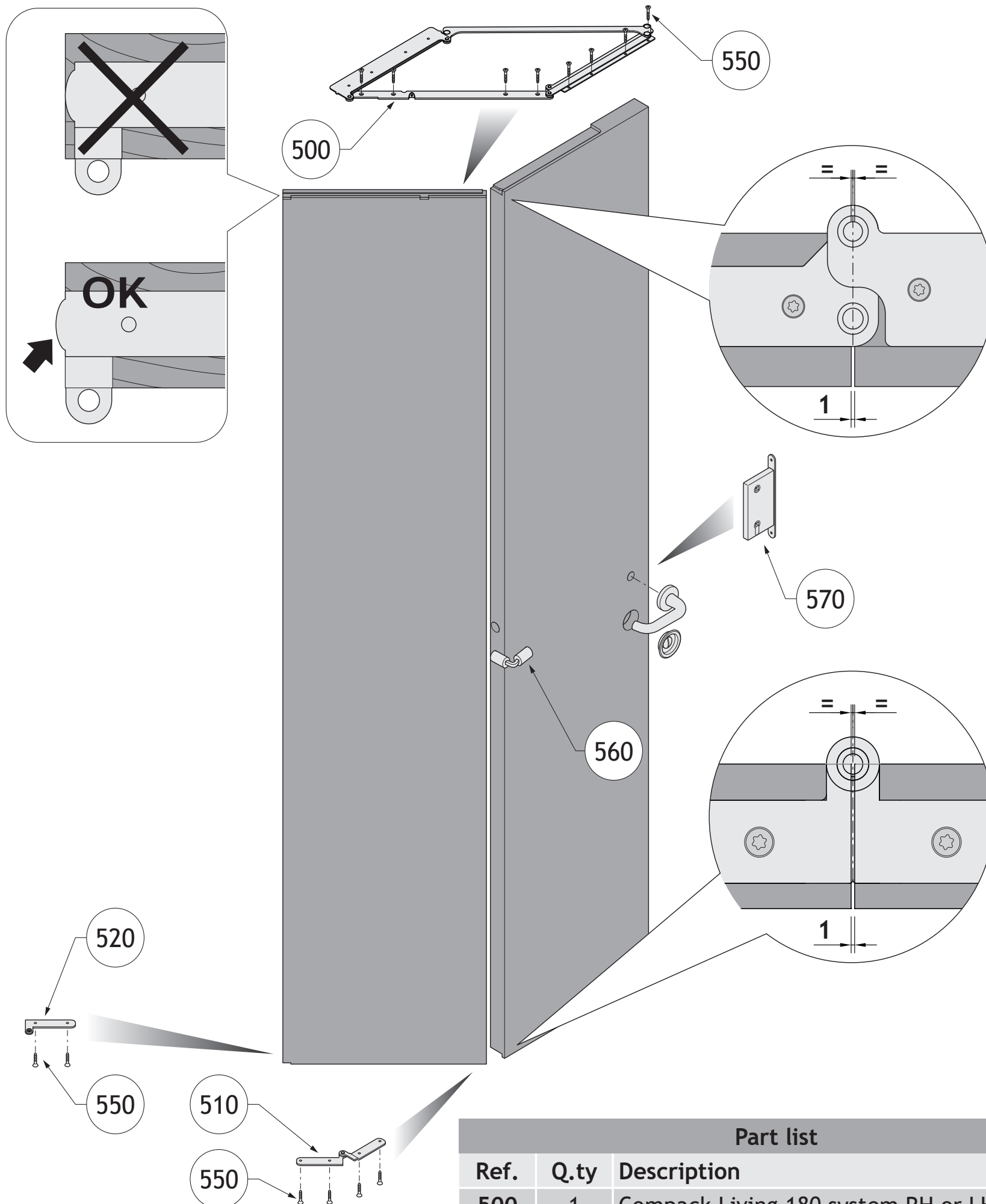
Dimensional example with symmetrical leaves



For applications with asymmetric leaves, see pages 45-46-47.

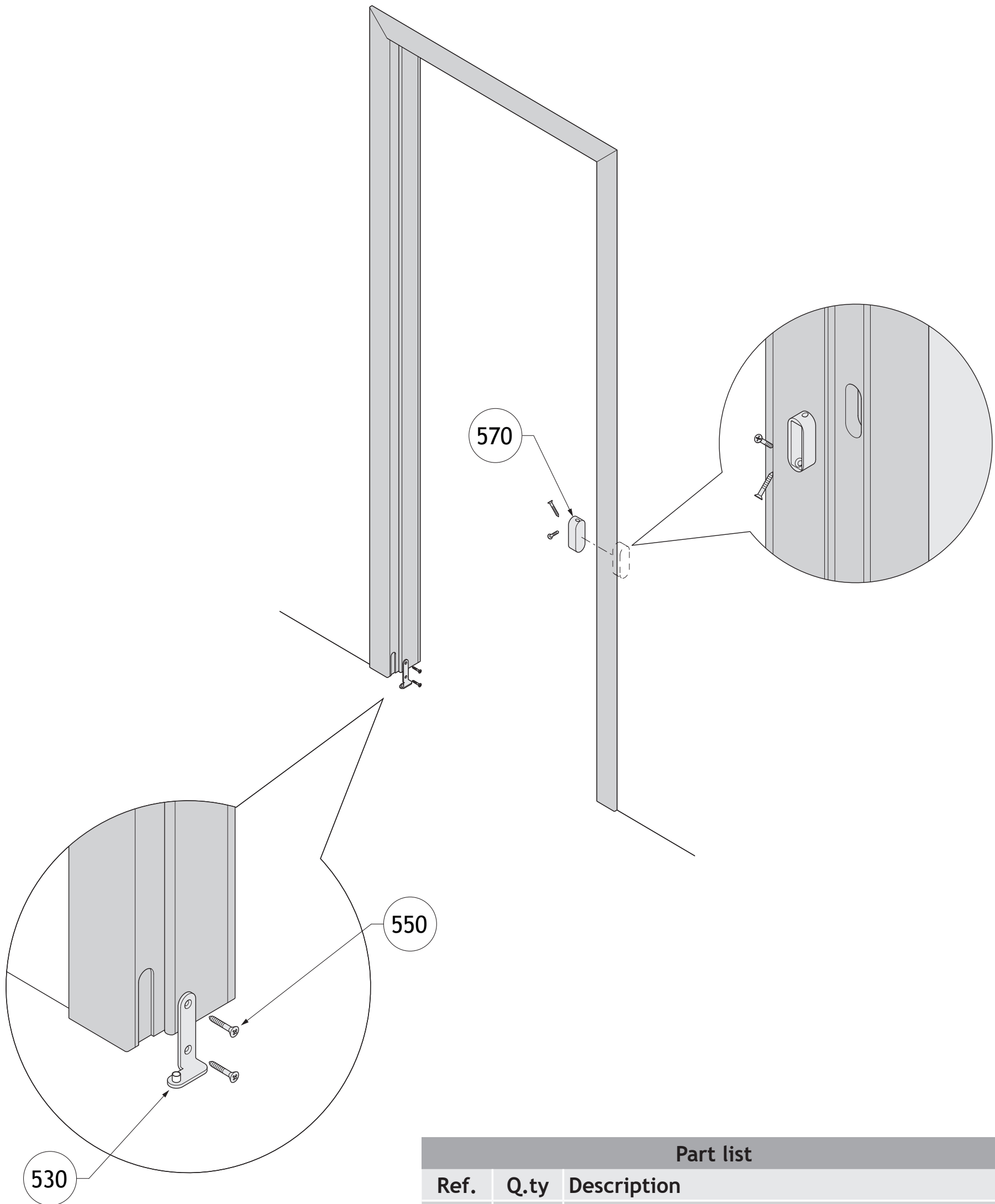
6. ASSEMBLY

6.1 Assembling the hardware on the leaf



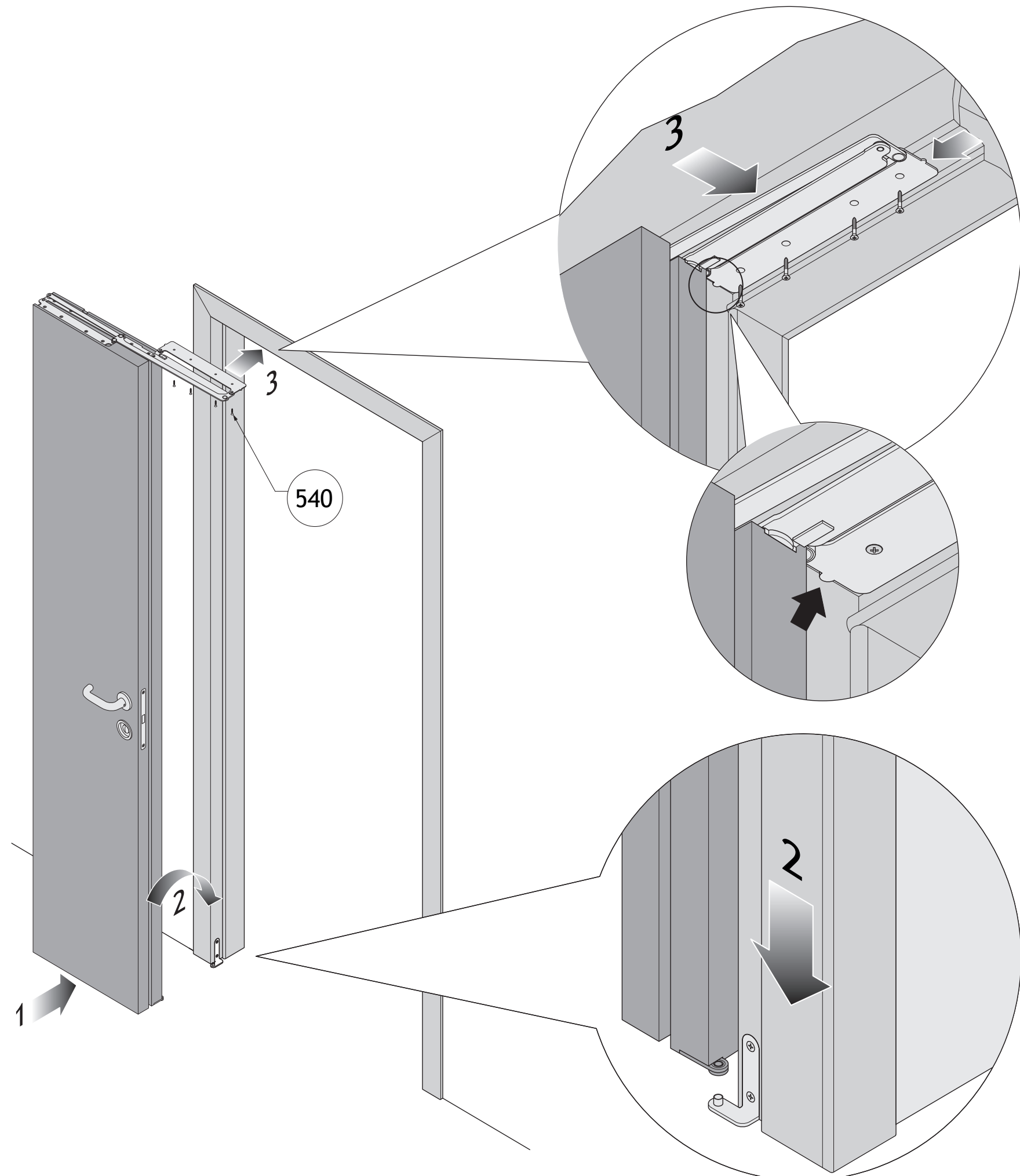
Part list		
Ref.	Q.ty	Description
500	1	Compact Living 180 system RH or LH
510	1	Central hinge lower
520	1	Lateral hinge lower for leaf RH or LH
550	14	Screw TSP trx ø 4x30
560	1	Invisible hinge for alignment leaf
570	1	Magnetic lock Compact Living with strikers and special square spindle (optional)

6.2 Assembling the hardware on the jamb



Part list		
Ref.	Q.ty	Description
530	1	Lateral hinge lower for jamb RH or LH
550	2	Screw TSP trx ø 4x30
570	1	Magnetic lock Compack Living with strikers (optional)

6.3 Installation door leaf on the jambs



See sequence below for fitting the door:

- 1 fold the door leaves against one another
- 2 mount the door on the pivot of the hinge lower
- 3 position the top hardware pieces in **perfect alignment with the corner** and screw in place (screws included)

Part list		
Ref.	Q.ty	Description
540	4	Screw TSP trx ø 4x20

COMPACK[®]

L I V I N G

WORK ON THE DOOR LEAVES AND FRAME

CONTENTS

5. COMPONENTS	75
5.1 Wood components (compatible with COMPACT LIVING 90° and 180°)	75
5.2 Door leaf hinge side (compatible with COMPACT LIVING 90° and 180°)	76
5.3 Door leaf handle side (compatible with COMPACT LIVING 90° and 180°)	77
5.4 Workings for accessories (compatible with COMPACT LIVING 90° and 180°)	78
5.5 Door hardware mounting hole diagrams (compatible with COMPACT LIVING 90° and 180°) .	79
5.6 Hinge side door jamb (compatible with COMPACT LIVING 90° and 180°)	80
5.7 Handle side door jamb (compatible with COMPACT LIVING 90° and 180°)	81
5.8 Upper crossbeam (compatible with COMPACT LIVING 90° and 180°)	82

The company reserved the right to make, at any time, without prior notice, all technical changes it considers appropriate to improve the quality and the correct functionality of the products.

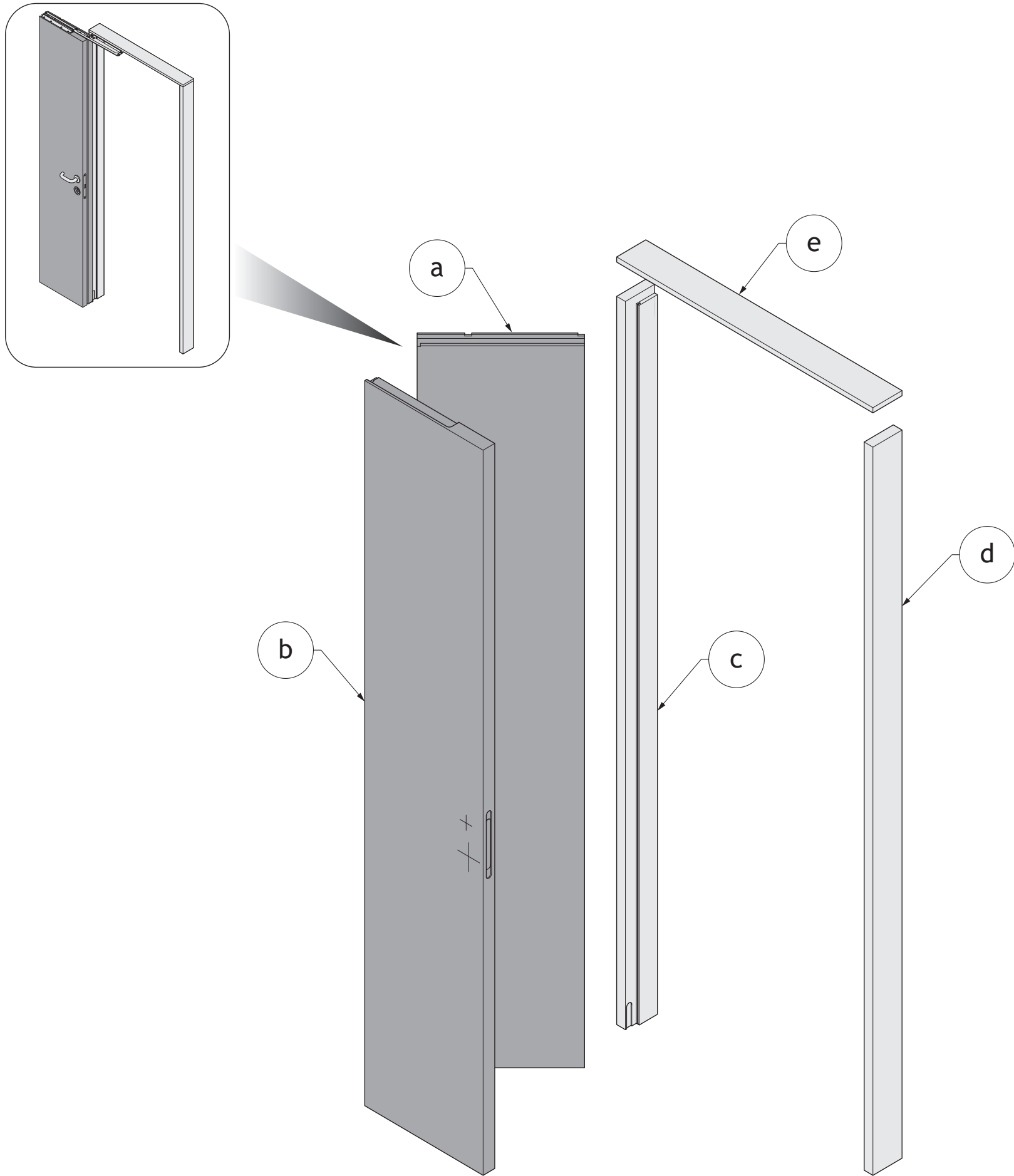
All contents of this manual are covered by copyright.

It's forbidden even partial reproduction of text and drawings, without prior written permission of Celegon s.r.l.. Any abuse will be prosecuted according to law.

All right reserved - Duplication or divulgation without authorization is strictly forbidden.

5. COMPONENTS

5.1 Wood components compatible with COMPACT LIVING 90° and 180°

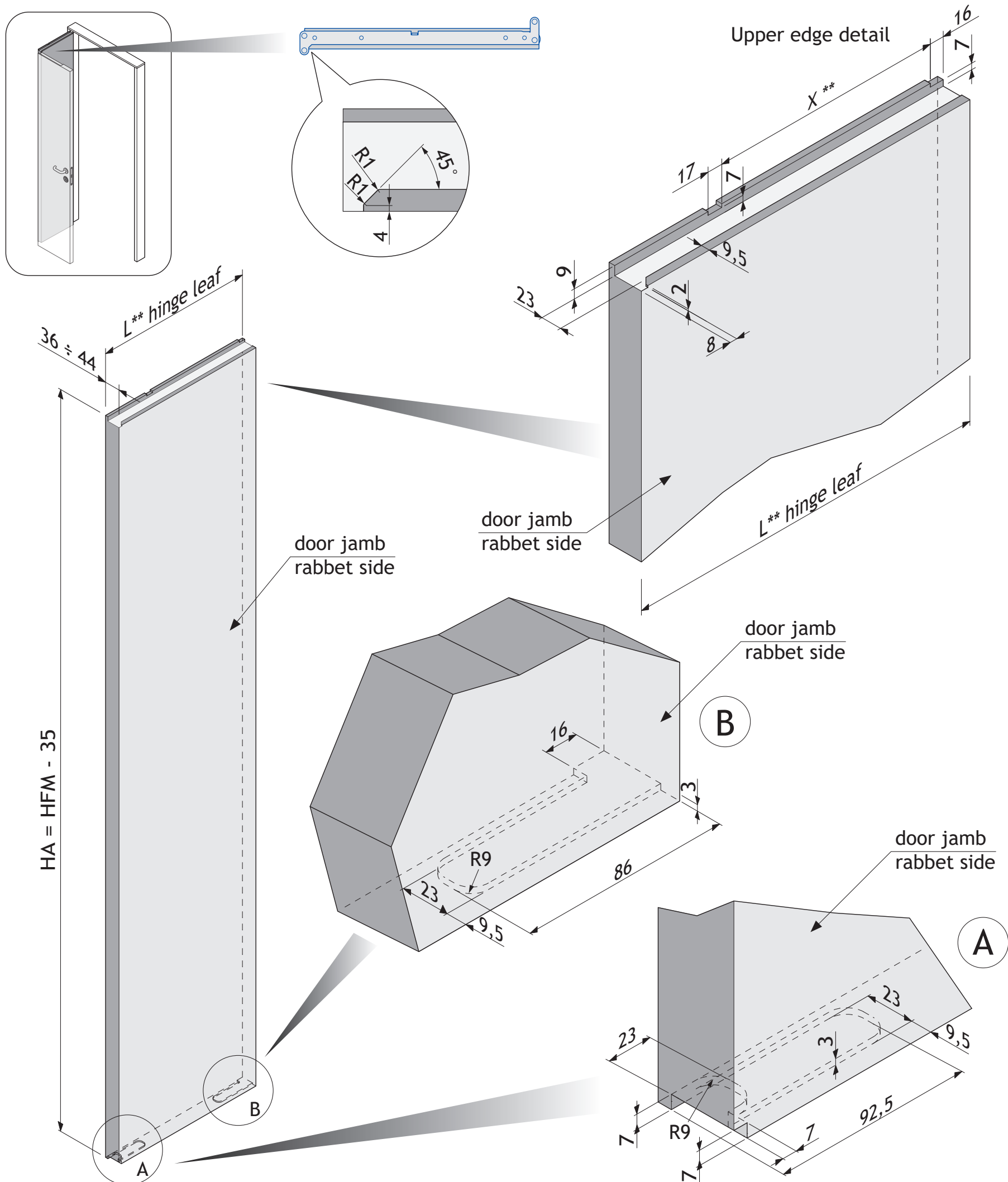


Part list		
Ref.	Q.ty	Description
a	1	Hinge leaf
b	1	Handle leaf
c	1	Hinge side door jamb
d	1	Handle side door jamb
e	1	Upper crossbeam

5.2 Door leaf hinge side (compatible with COMPACT LIVING 90° and 180°)

Left leaf door hinge side (*Right door is symmetric*)

(**) For dimensions see sections 3.4, 3.5, 3.6, 3.7, 3.8



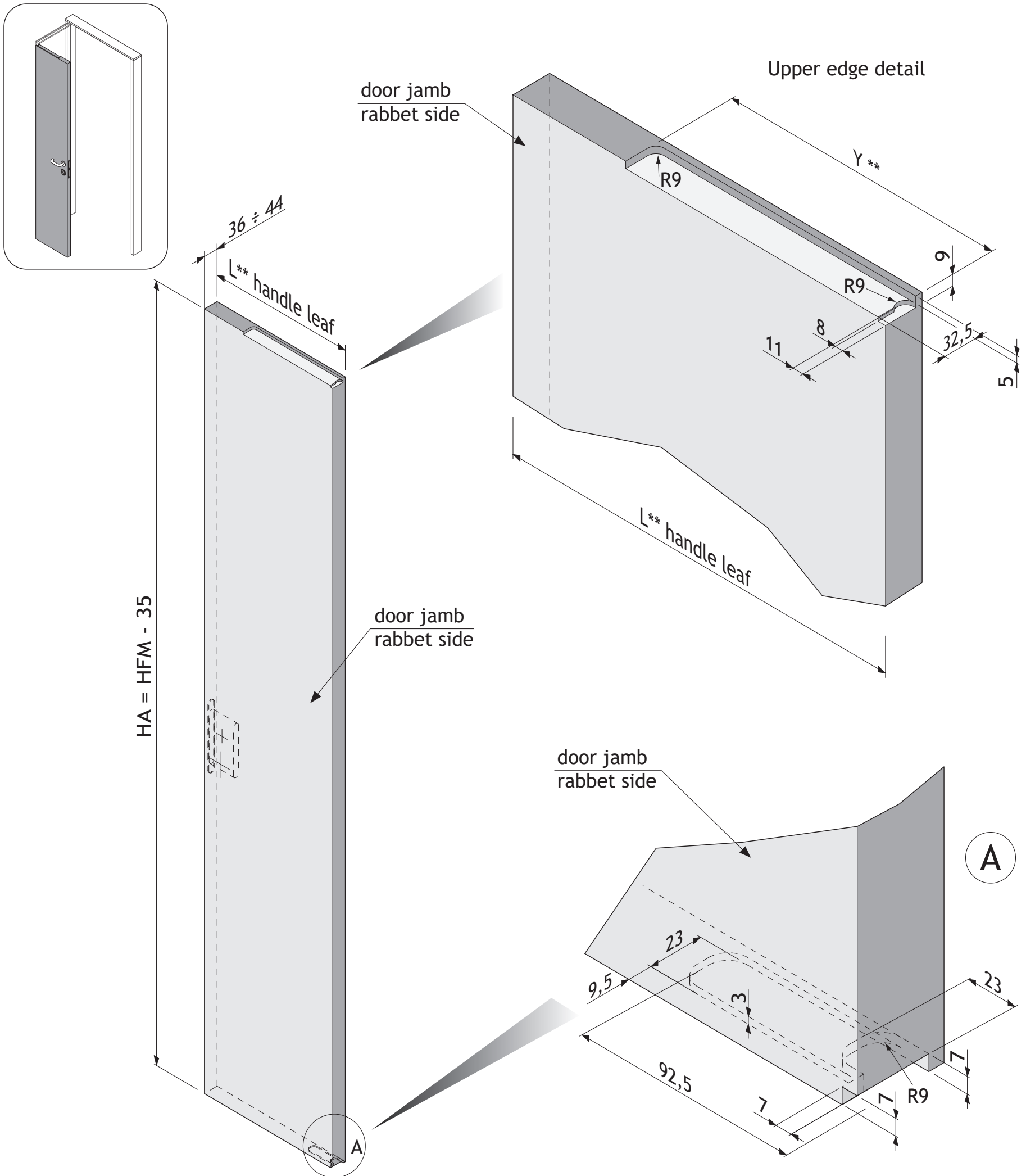
HFM = Wall Hole Height

HA = Leaf Height

5.3 Door leaf handle side (compatible with COMPACT LIVING 90° and 180°)

Left leaf door handle side (Right door is symmetric)

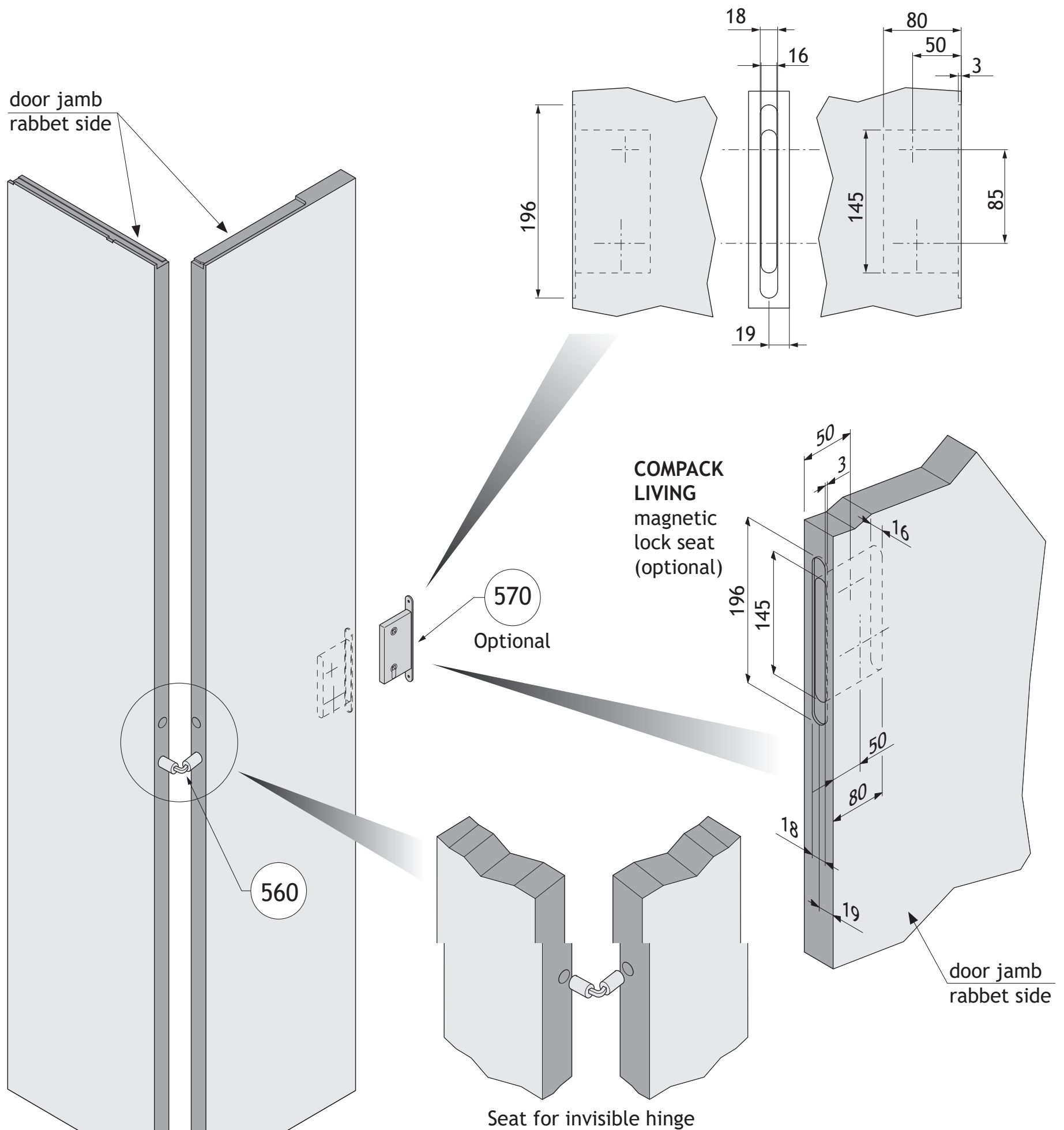
(**) For dimensions see sections 3.4, 3.5, 3.6, 3.7, 3.8



HFM = Wall Hole Height
HA = Leaf Height

5.4 Workings for accessories (compatible with COMPACT LIVING 90° and 180°)

The operations indicated for the lock seat are mandatory should you wish to use the lever handle on one side only.



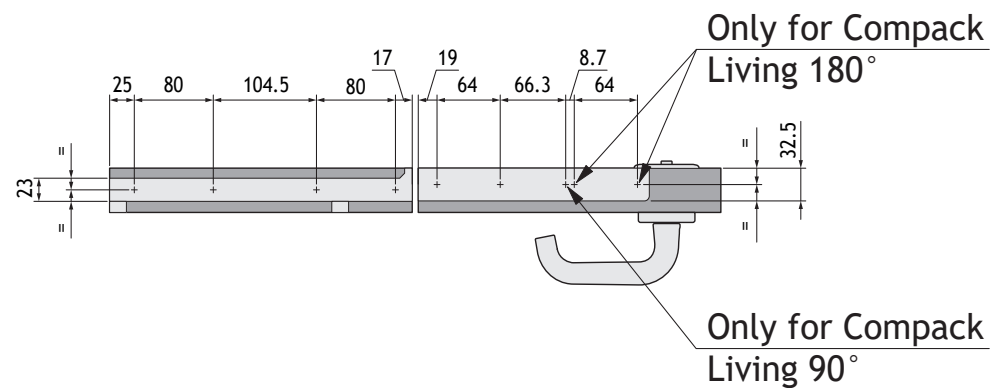
Part list		
Ref.	Q.ty	Description
560	1	Invisible hinge for alignment leaves
570	1	Magnetic lock Compack Living with strikers and special square spindle (optional)

5.5 Door hardware mounting hole diagrams (compatible with COMPACT LIVING 90° and 180°)

Door hardware mounting holes for both door systems: 180° and 90°

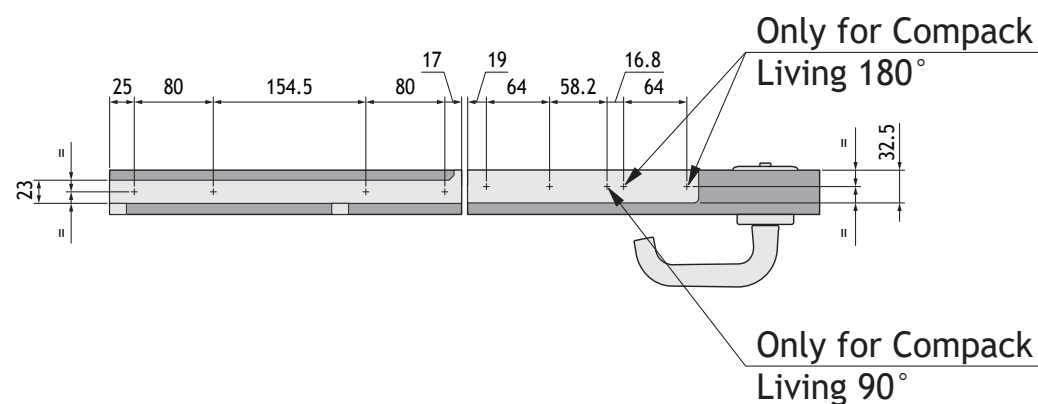
Hardware group F60

BLACK	INOX
802F60SX	822F60SX
802F60DX	822F60DX
902F60SX	922F60SX
902F60DX	922F60DX



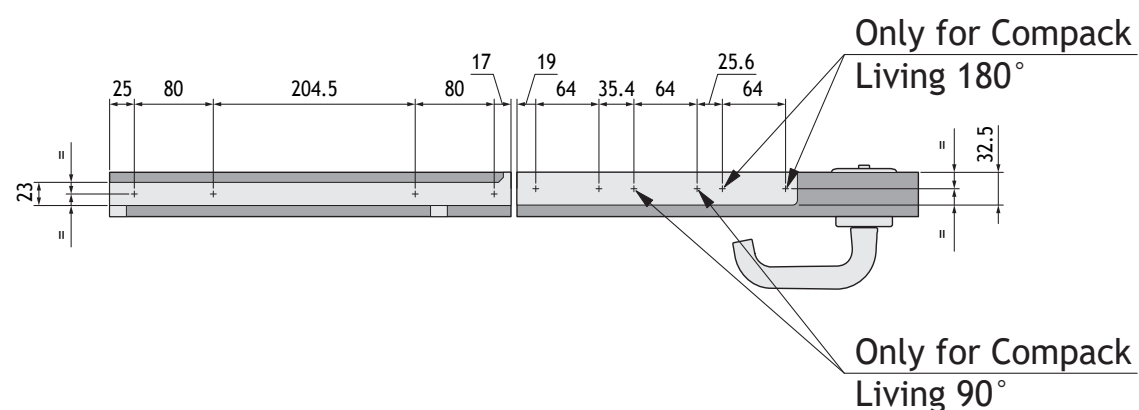
Hardware group F70

BLACK	INOX
802F70SX	822F70SX
802F70DX	822F70DX
902F70SX	922F70SX
902F70DX	922F70DX



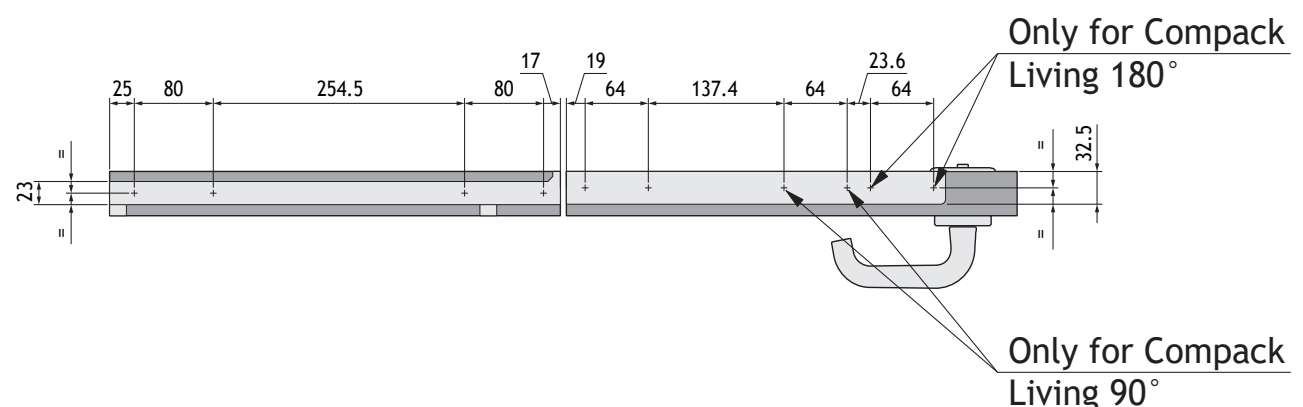
Hardware group A80

BLACK	INOX
802A80SX	822A80SX
802A80DX	822A80DX
902A80SX	922A80SX
902A80DX	922A80DX



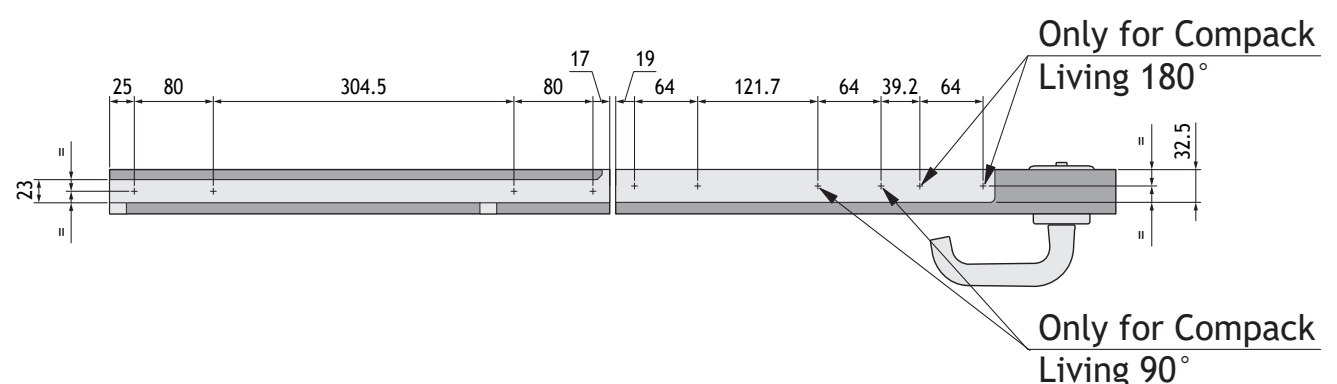
Hardware group B90

BLACK	INOX
802B90SX	822B90SX
802B90DX	822B90DX
902B90SX	922B90SX
902B90DX	922B90DX



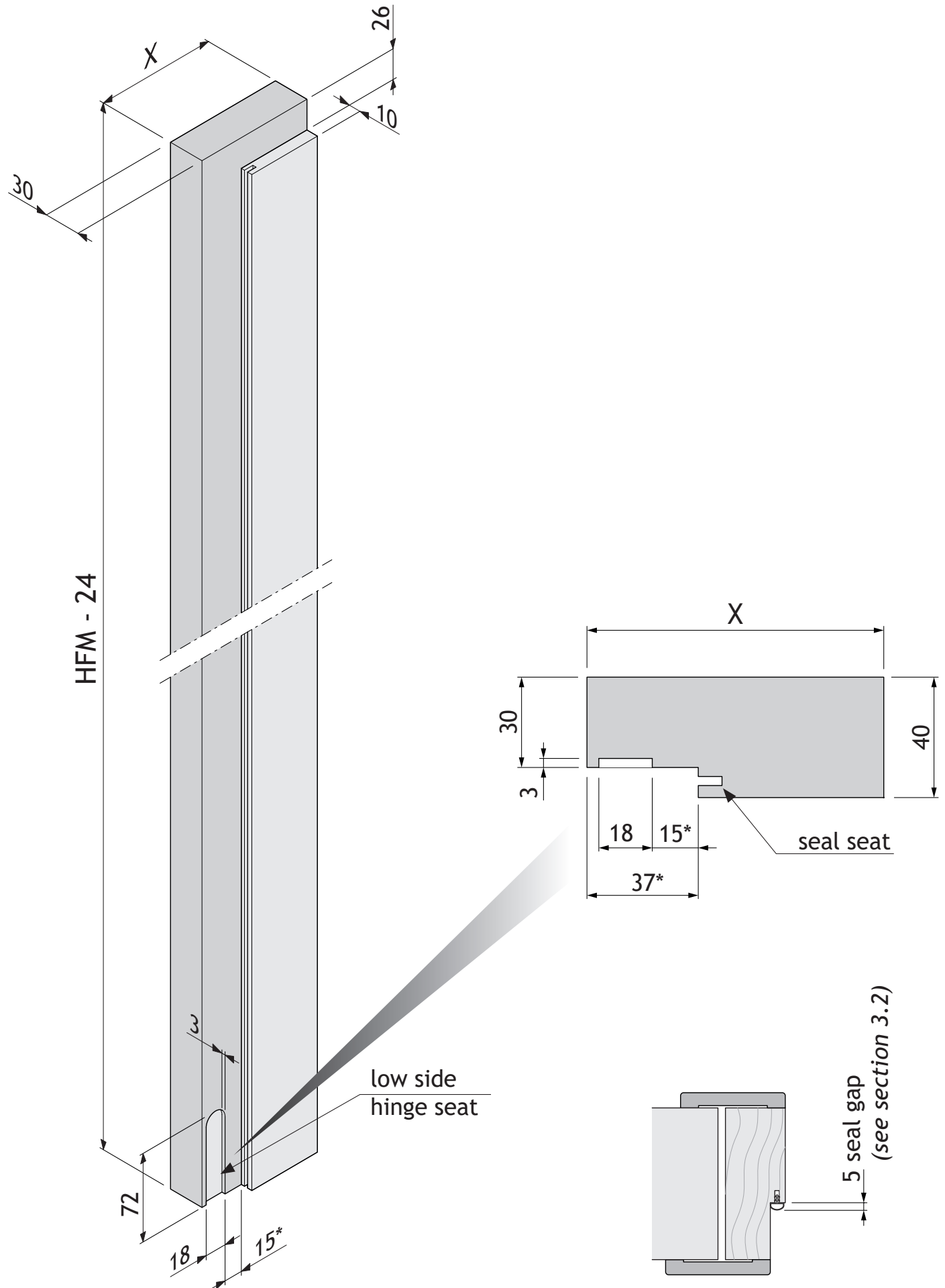
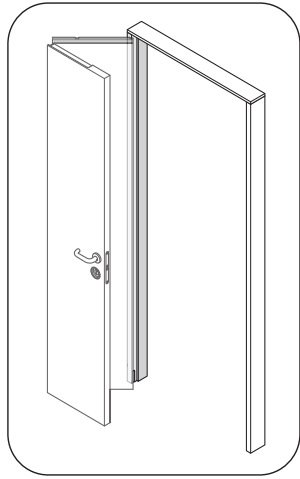
Hardware group B100

BLACK	INOX
802B100SX	822B100SX
802B100DX	822B100DX
902B100SX	922B100SX
902B100DX	922B100DX



5.6 Hinge side door jamb (compatible with COMPACT LIVING 90° and 180°)

Door left jamb hinge side (*Right jamb is symmetric*)

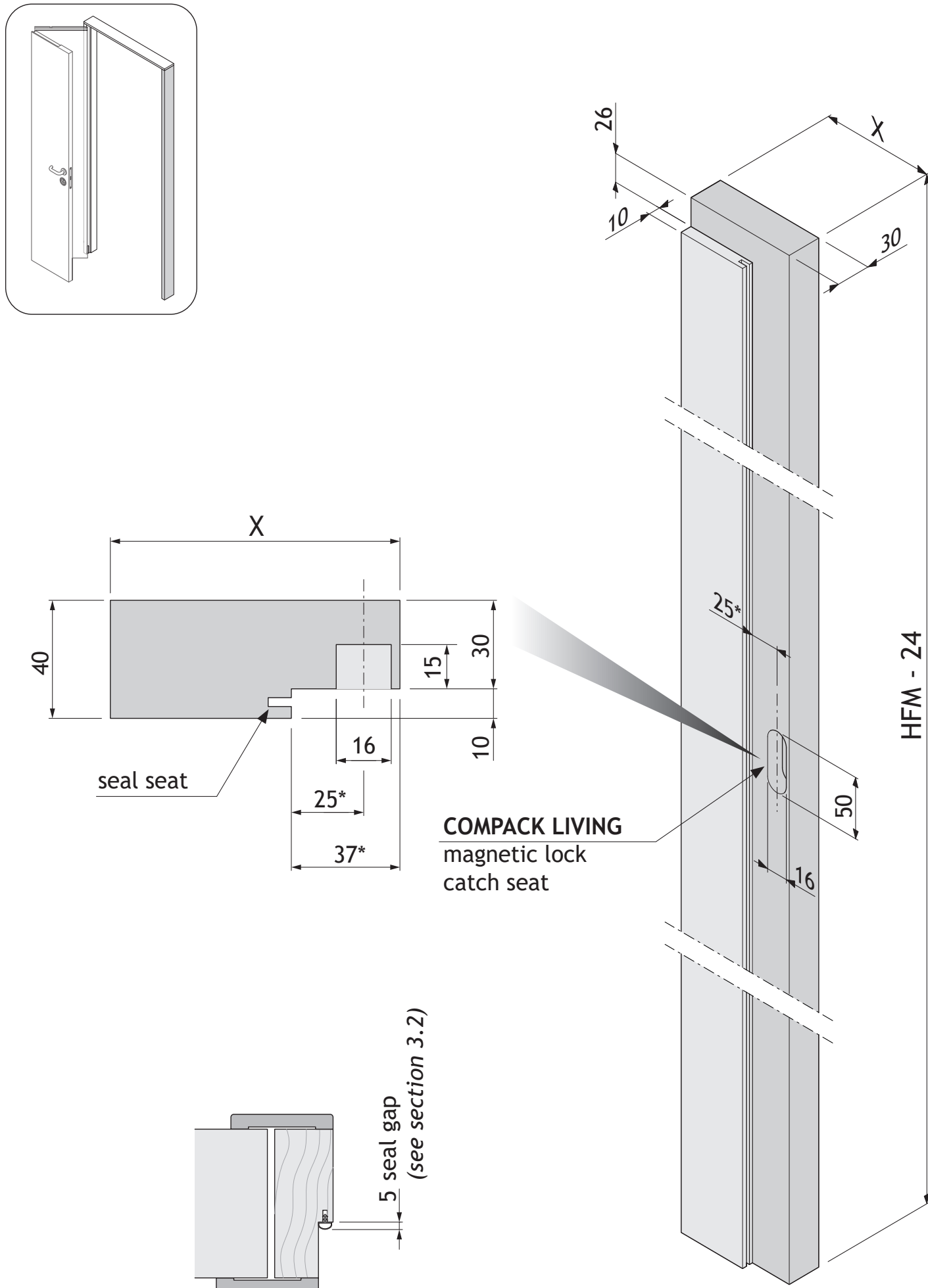


The dimension marked with (*) vary according to the seal gap dimensions

- X = Wall Thickness
- HFM = Wall Hole Height

5.7 Handle side door jamb (compatible with COMPACT LIVING 90° and 180°)

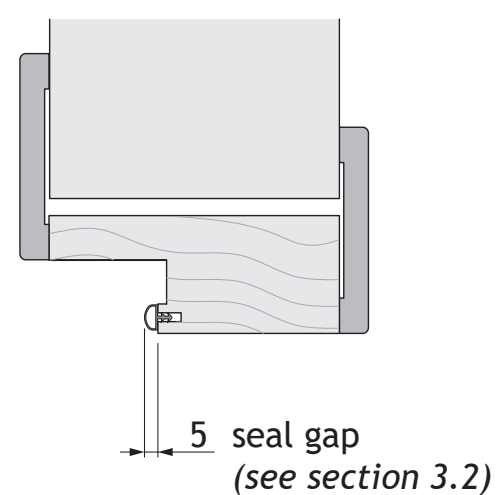
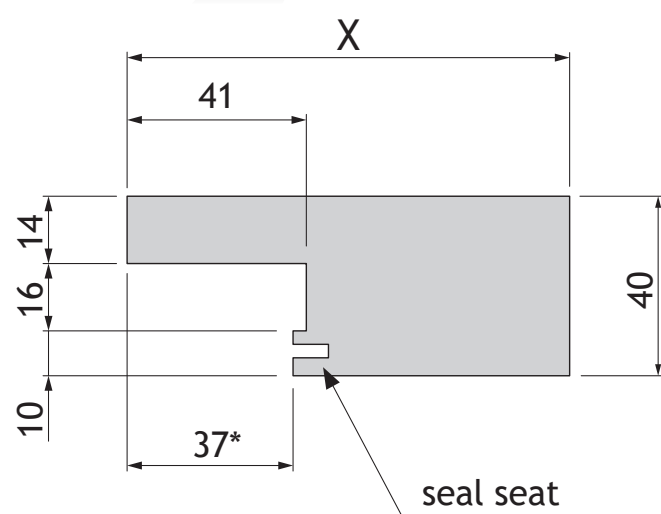
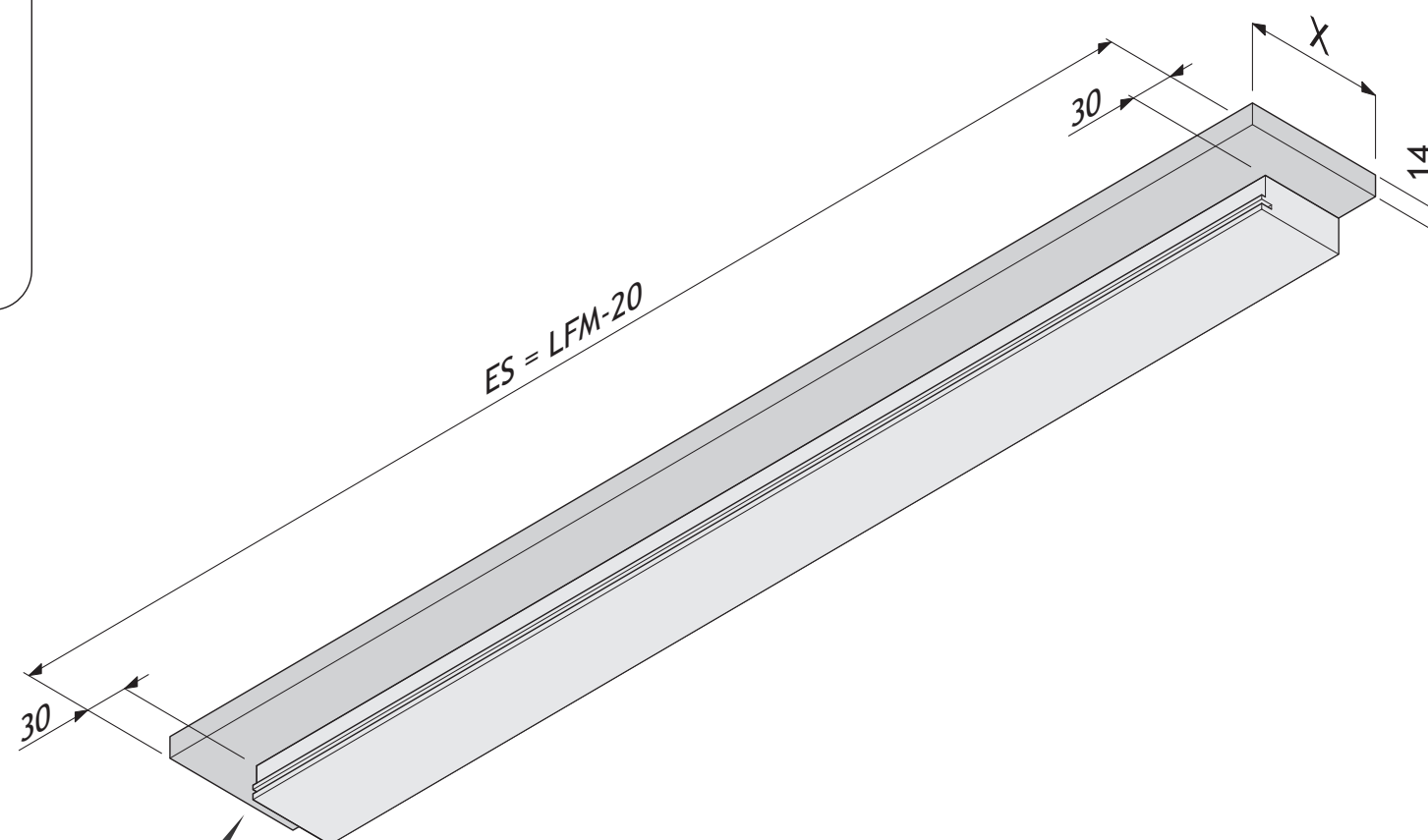
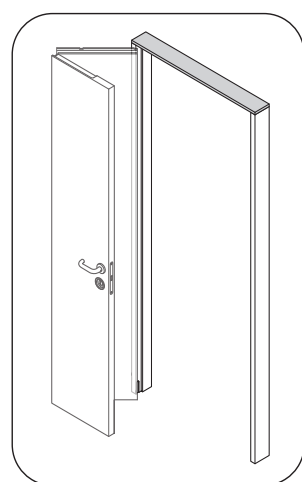
Door left jamb handle side (*Right jamb is symmetric*)



The dimension marked with (*) vary according to the seal gap dimensions.

X = Wall Thickness
HFM = Wall Hole Height

5.8 Upper crossbeam (compatible with COMPACT LIVING 90° and 180°)



The dimension marked with (*) vary according to the seal gap dimensions.

- X = Wall Thickness
- ES = Outer Jamb (= length of the upper crossbeam)
- LFM = Wall Hole Width

