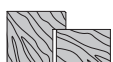
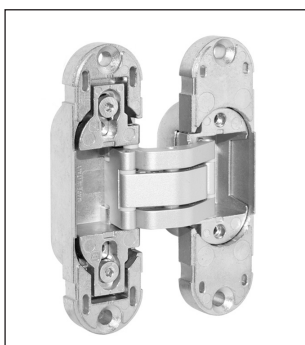


Eclipse 2.2 - adjustable concealed hinge with frame part reduced



Description

Reversible concealed hinge with a frame part reduced to 21 mm. Eclipse 2.2 is adjustable on 3 axis and allows a 180° opening. The hinge can be used with the door closer.

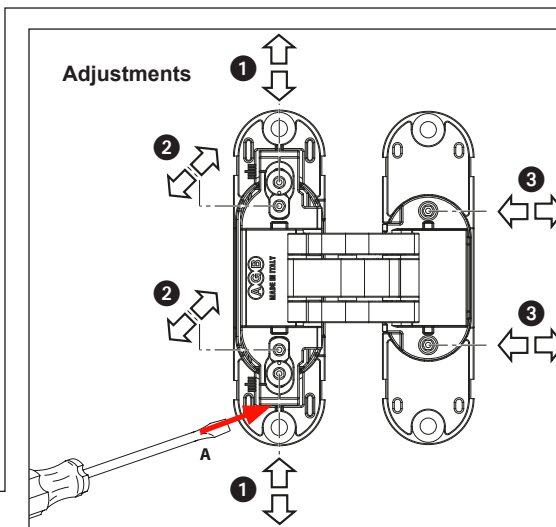
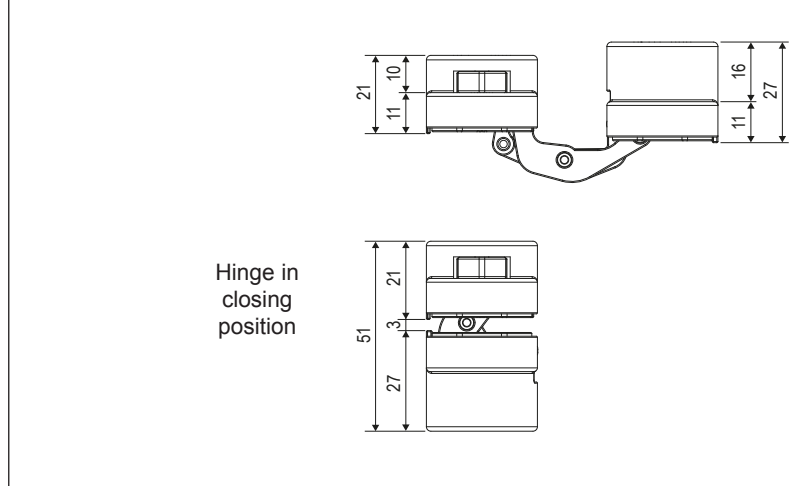
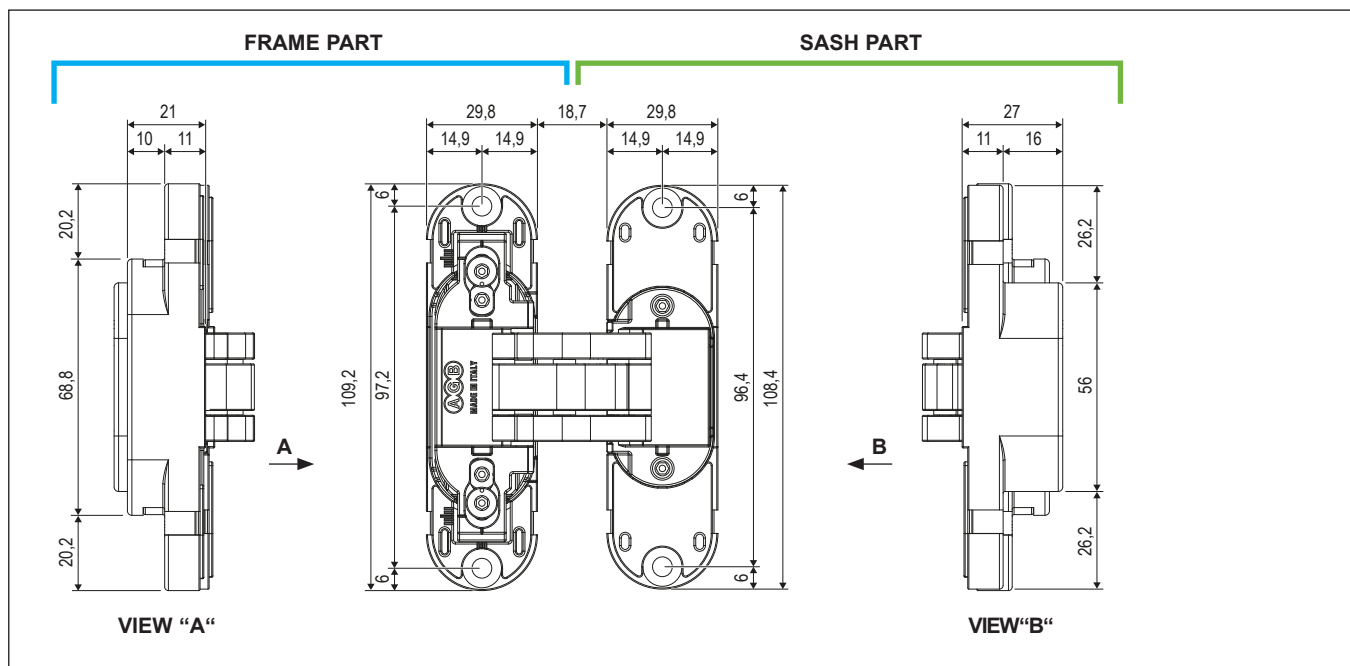
Capacity

60 kg with 2 hinges, 80 kg with 3 hinges.

Note. Follow the procedure on the capacity diagram for the maximum dimensions of the possible sash.

Fastening

Perform pre-holes. Mill sash and frame as indicated in the picture and fasten the hinge with $\varnothing 5$ mm screws of a suitable length for the sash part and with $\varnothing 5$ mm screws of a suitable length for the frame part.



Covers available

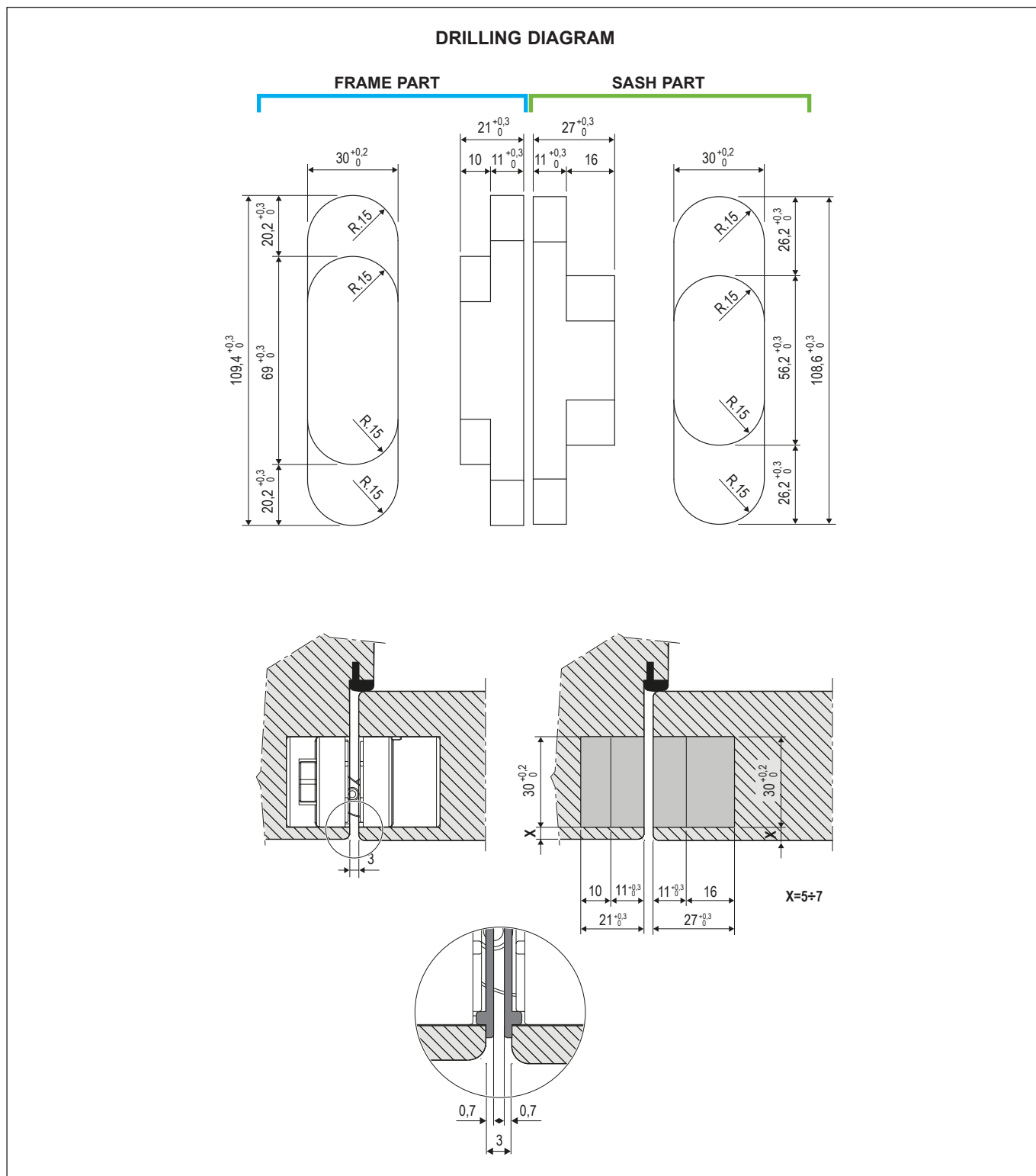
FRAME	SASH

Plastic material:
Art. E30200.87.XX

Please adjust the hinges with a 3 mm Allen key, as indicated here below:

- ± 2 mm vertical adjustment: loosen the screws ① to get the desired adjustment helping yourself with a flat-bladed screwdriver (A) or a wedge which is suitable for Eclipse hinges, art. E30200.89.01. After this operation fasten the screws
- ± 1 mm pressure adjustment: loosen the screws ②.
- $\pm 1,5$ mm horizontal adjustment: adjust screws ③ to obtain the desired horizontal adjustment.

Eclipse 2.2 - adjustable concealed hinge with frame part reduced



Order specifications

Materiale	Article
ZAMAK	E30200.85.XX

Note. Refer to the price list in force to check the availability of the finishes.